

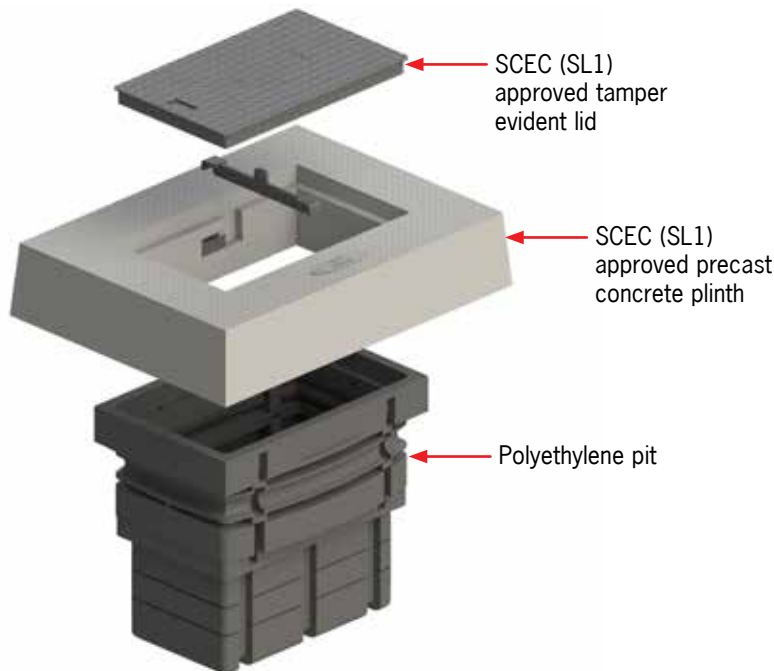


Product Data Sheet

ACO CABLEMATE

ACO PITLOK® High Security Trafficable Enclosures

SCEC Endorsed (SL1) – Plastic pit range



The Security Construction and Equipment Committee (SCEC) is an interdepartmental committee which selects security equipment to meet the physical security needs of the Australian Government.

The ACO PITLOK® range has been fully tested and assessed by security services who conduct tests on behalf of SCEC. SCEC have subsequently endorsed the lids and plinths for the 'Protection of Classified Material'. This is contingent on the use of SCEC (SL3) padlocks to secure the lids.

The plastic pit range includes:

- SCEC (SL1) approved tamper evident lids
- SCEC (SL1) approved precast reinforced concrete plinths (40MPa)
- A range of robust polyethylene pits

P5 SCEC (SL1) plastic pit enclosure shown.

Parts Table

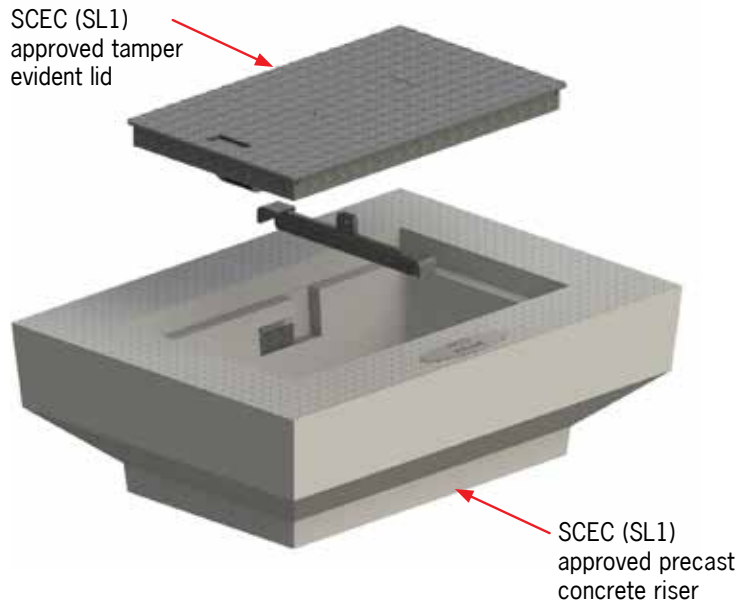
Part No.	Description	Clear Opening Dim. L x W x D (mm)	Weight (kg)	
Plastic Pits				
75957	P4 – plastic pit	605 x 300 x 745	12	
76042	P5 – plastic pit	603 x 353 x 581	10	
75475	P6 – plastic pit	1268 x 455 x 616	33	
75019	P8 – plastic pit	1268 x 455 x 836	42	
Concrete Plinths and drop in Steel Lids				
142234	PlinthP4 – ACO PITLOK® SCEC (SL1) concrete plinth	570 x 275	175	
142239	PlinthP4 – ACO PITLOK® SCEC (SL1) steel lid	To suit PlinthP4	18	17 ¹
142235	PlinthP5 – ACO PITLOK® SCEC (SL1) concrete plinth	575 x 330	195	
142240	PlinthP5 – ACO PITLOK® SCEC (SL1) steel lid	To suit PlinthP5	16	15 ¹
142236	PlinthP6/8 – ACO PITLOK® SCEC (SL1) concrete plinth	1250 x 440	325	
142241	PlinthP6/8 – ACO PITLOK® SCEC (SL1) steel lid	To suit PlinthP6/8	32	15 ¹
142366	Plinth800P – ACO PITLOK® SCEC (SL1) concrete plinth	715 x 715	355	
142367	Plinth800P – ACO PITLOK® SCEC (SL1) steel lid	To suit Plinth800P	35	17 ¹
Hinged Lid / Plinth Systems				
142238	Plinth1000HP-10 (1400 x 1400mm plinth and hinged lid)	990 x 990	500	20 ¹
142519	Plinth1000HP-15 (1760 x 1760mm plinth and hinged lid)	990 x 990	1090	20 ¹

Note: ¹Denotes heaviest individual lifting weight (kg)



ACO PITLOK® High Security Trafficable Enclosures

Plastic pit range – accessories and other ancillary products



To facilitate the installation of cable enclosures along a cable route and to satisfy specific user requirements, a wide range of accessories is offered.

Accessories are designed to assist with services identification, security and maintenance.

Accessories include:

- ID Plates
- Route Marker Plates
- SCEC Padlocks
- Lid Lifting Tool
- Plastic Pit Expansion Tool
- Swing Arm

ACO can also supply compatible SCEC (SL1) approved precast reinforced concrete risers (40MPa) to custom heights (see left) where deeper enclosures are required.

P5 SCEC (SL1) concrete riser and steel lid shown.

Parts Table

Accessories and other ancillary products		
Part No.	Description	Weight (kg)
142232	Lid Lifting Tool	0.5
142233	Plastic Pit Expansion Tool	4
On Enquiry	ID Plates	N/A
On Enquiry	Route Marker Plates	N/A
On Enquiry	SCEC (SL3) Padlocks	0.5
On Enquiry	Swing Arm	1
On Enquiry	SCEC (SL1) approved precast concrete riser	Variable

