

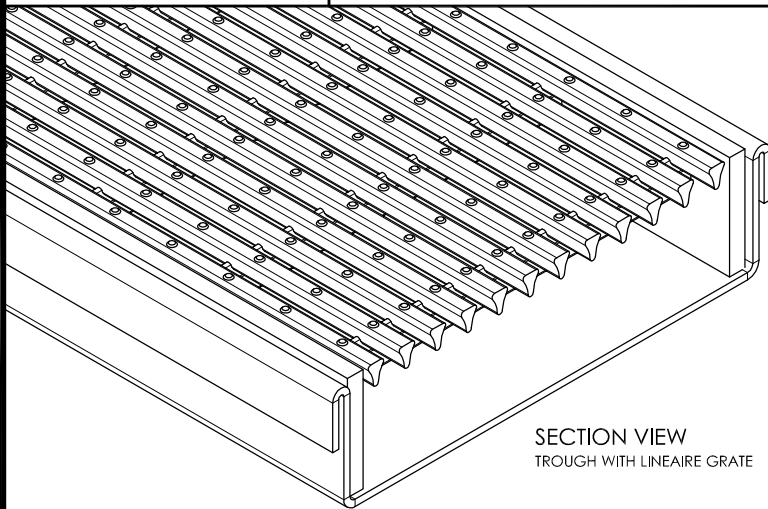


CUSTOM SPECIFICATION DRAWING

ACO Polycrete Pty Ltd
134-140 Old Bathurst Road
Emu Plains NSW 2750
Tel: +61 2 4747 4000
Fax: +61 2 4747 4060
e: technical@acoaus.com.au

DRWG# SD-CO-1.2
www.acoaus.com.au

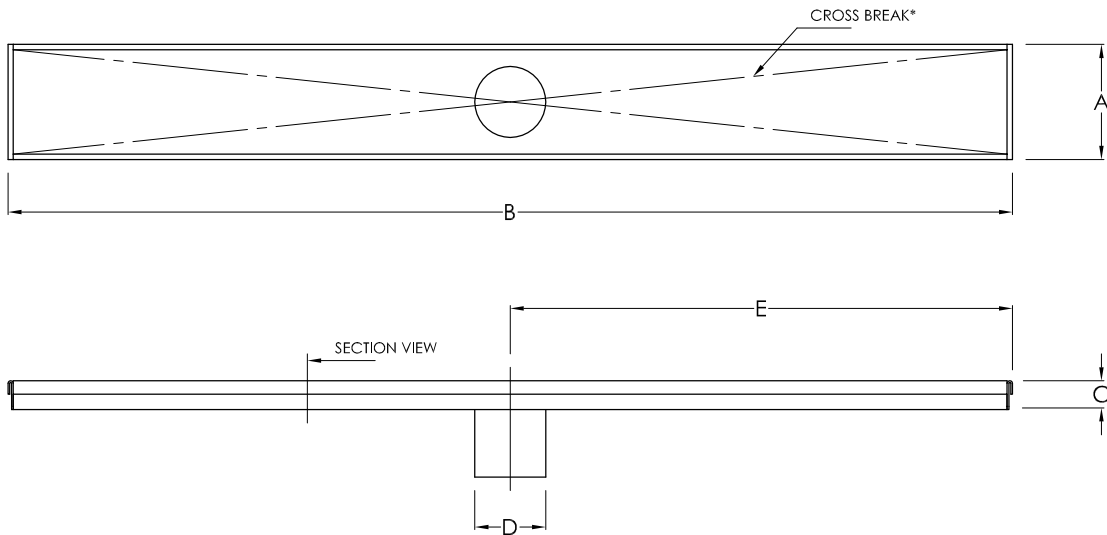
ShowerDrain



SECTION VIEW
TROUGH WITH LINEAIRE GRATE

TROUGH DIMENSIONS	
TROUGH WIDTH "A"	
TROUGH LENGTH "B"	
TROUGH DEPTH "C" ¹	
OUTLET DIAMETER "D"	
OUTLET LOCATION "E"	

NOTE: *CAN ONLY CROSS BREAK STRAIGHT, SINGLE PART RUNS LESS THAN 2400mm LONG.
¹ MAX. DEPTH IS 50mm.



SPECIFICATION CLAUSE

ACO Polycrete Pty Ltd
134-140 Old Bathurst Road
Emu Plains NSW 2750
Tel: +61 2 4747 4000
Fax: +61 2 4747 4060
e: technical@acoaus.com.au

DRWG# SD-CO-1.2
www.acoaus.com.au

ShowerDrain with Linéaire Grate

The floor drain troughs are to be ShowerDrain with Linéaire grate as supplied by ACO Polycrete Pty Ltd. All components used within the scope of the system are shown on **Drawing No. _____***.

All components are to be manufactured from austenitic stainless steel **Grade 304** in the specified **lengths/layout*** according to the table above. Position and nominal size of outlet as detailed in the table above.

* Delete where appropriate.