
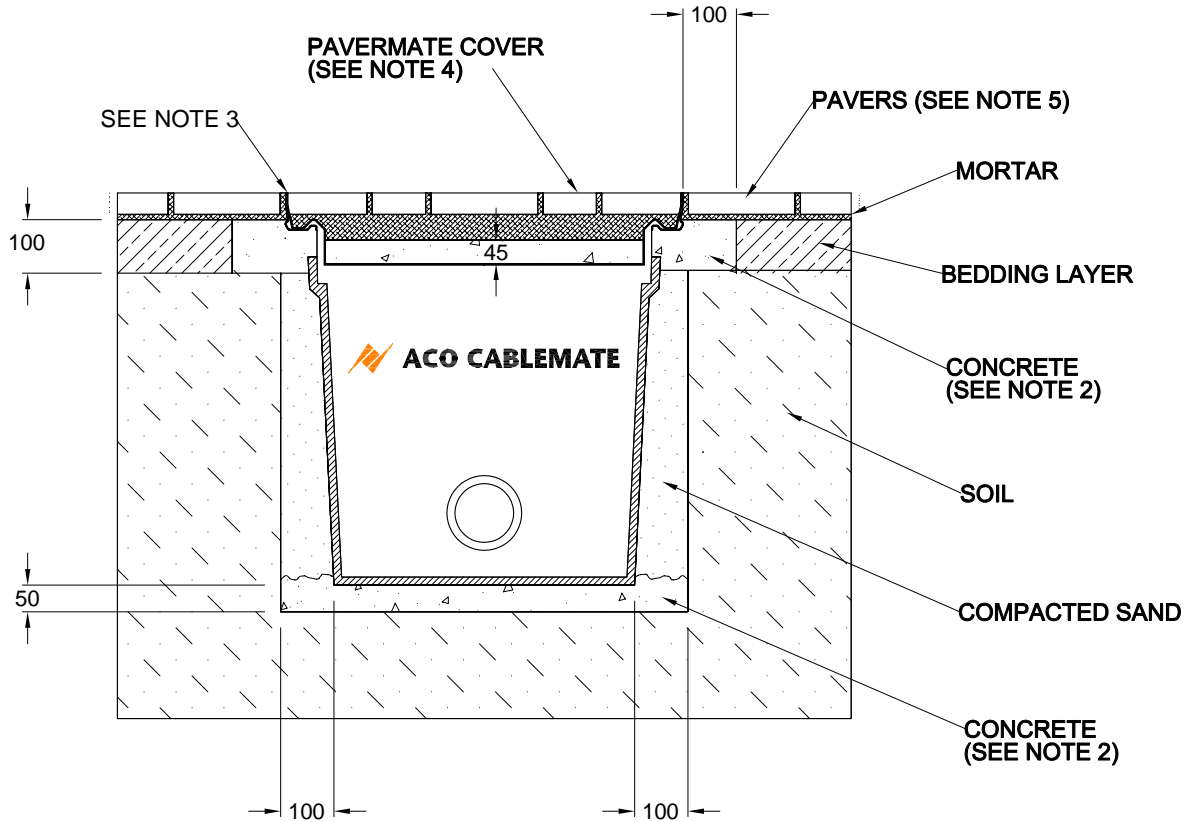
	<h1>INSTALLATION DRAWING</h1>	
DRWG# XCPP-AP www.acoaus.com.au	<h2>Polymer Pit with Pavermate Cover: Pavers</h2>	
<h3>For 330kg Nominal Wheel Load</h3>		



- NOTES:**
1. Specific site conditions may require an increase in these dimensions or reinforcement. It is the customer's responsibility to ensure the concrete encasement is designed for the application. *Engineering advice may be required.*
 2. A minimum concrete strength of 25MPa is recommended. The concrete should be vibrated to eliminate air pockets.
 3. The finished level of the pavers must be flush with the top of the frame.
 4. 45mm minimum thickness of concrete must be set into the base of the cover prior to pouring concrete surround.
 5. The paver course adjacent to the frame edge must be fully bonded to the concrete surround.
 6. Refer to ACO's latest installation instructions for complete details.

	<h1>SPECIFICATION CLAUSE</h1>	ACO Polycrete Pty Ltd 134-140 Old Bathurst Road Emu Plains NSW 2750 Tel: +61 2 4747 4000 Fax: +61 2 4747 4060 e: technical@acoaus.com.au
DRWG# XCPP-AP www.acoaus.com.au	<h2>Polymer Pit with Pavermate Cover</h2>	

The electrical/communication enclosures shall be ACO Cablemate polymer concrete pit(s) *type(s)* ...and *part no(s)*...with Pavermate cover (for 330kg nominal wheel load) with *clear opening(s)* and *part no(s)*...

All materials and components within the scope of this system shall be obtained from this manufacturer and the work shall be carried out as specified in accordance with the manufacturer installation recommendations.