



# Type 7 Pit

Length 1,020mm  
Width 565mm  
Depth 1,145mm



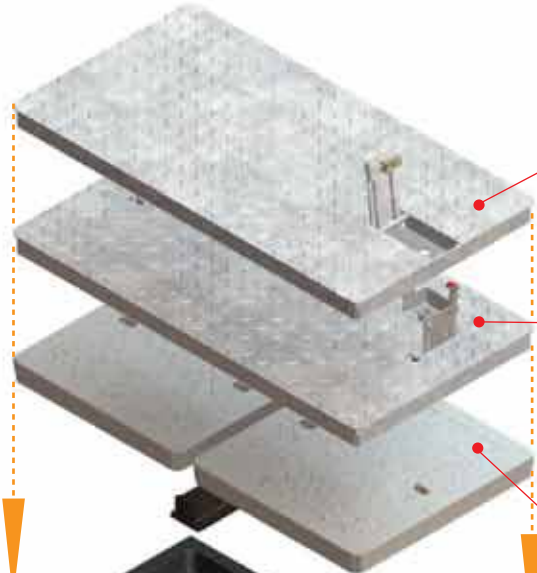
Up to  
1,545mm (1 riser)

**Product Selection Steps**

Once pit type is determined:

1. Determine if riser is required.
2. Select lid or access cover (adds additional depth) to suit project application.

## Lids



Steel **PowerLok**® lid (AS 3996 Class B). Slip Resistance Rating R10 AS/NZS 4586. IP2XD (AS 60529) protection against ingress of foreign objects when hatch is closed.

Steel lid (AS 3996 Class B). Slip Resistance Rating R10 AS/NZS 4586. IP4X (AS 60529) protection against ingress of foreign objects if fitted with universal plug.

Cement concrete 2-part lid (AS 3996 Class A). Slip Resistance Rating R9 AS/NZS 4586. IP4X (AS 60529) protection against ingress of foreign objects if fitted with universal plug.



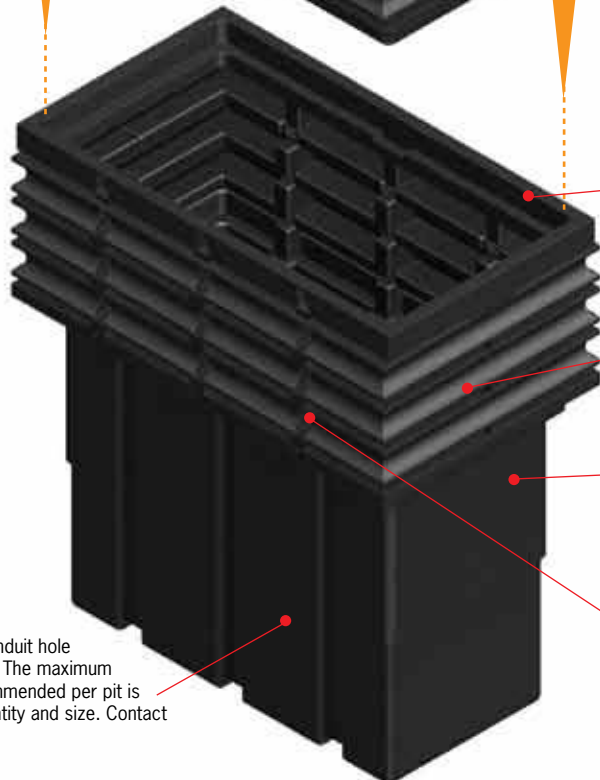
Cast-in-situ concrete collar

## Riser



Note: Access covers fit above pit/riser, refer to pg 80 for installation guidelines.

## Pit



Optional riser to increase pit depth, riser rebate is identical to pit rebate and with lid, offers the same IP protection. To produce riser, cut base off another pit to appropriate length. ACO recommends no more than 1 riser. Riser adds 400mm depth.

Lids fit into rebate at top of pit, whilst access covers must be installed in a cast in situ concrete collar.

Pit can be cut at specific points to create a shallower pit.

Plastic pit construction offers an economic pit solution for light duty applications. Plastic also offers excellent electrical resistivity.

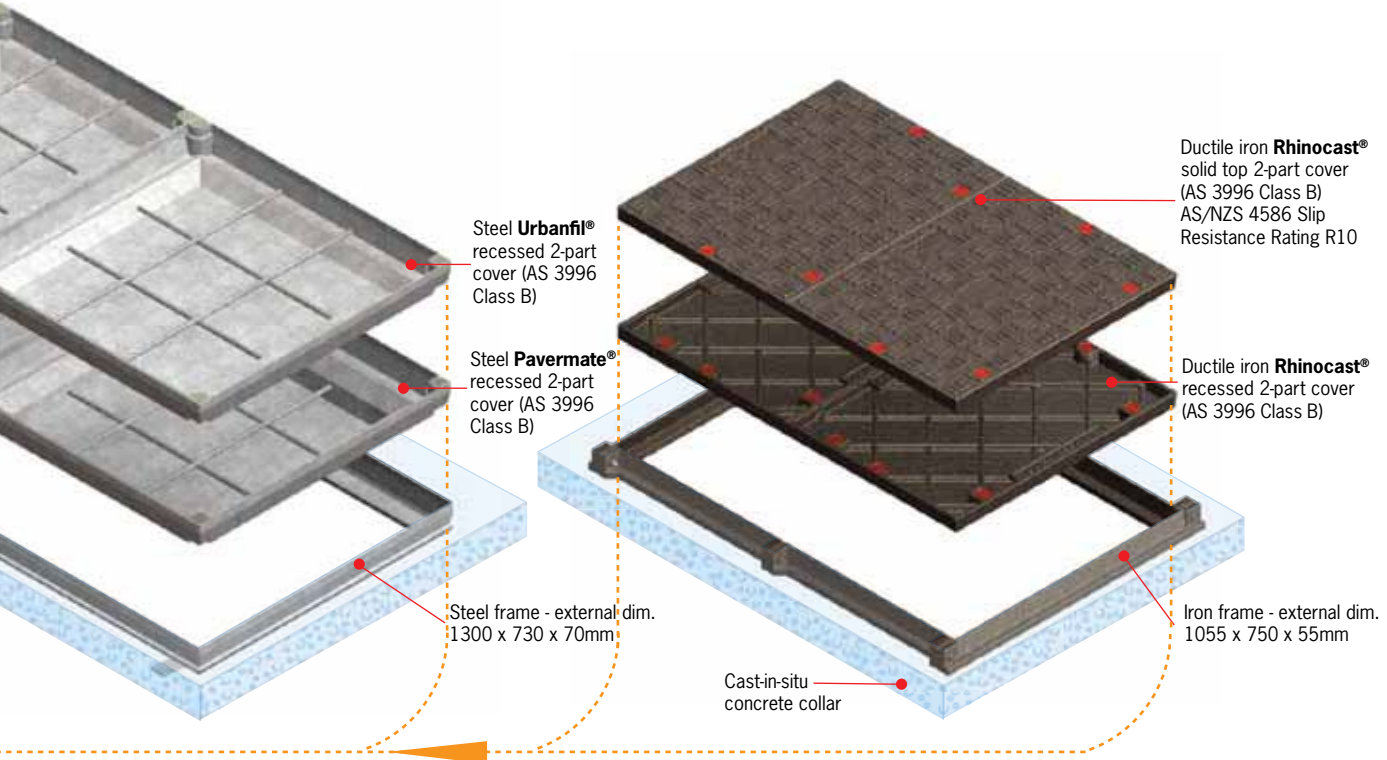
Continuous ribbed wall design for maximum wall strength. All plastic pits have undergone FEA analysis to ensure optimum pit performance.

Use holesaw to cut conduit hole anywhere on side wall. The maximum number of holes recommended per pit is limited by conduit quantity and size. Contact ACO for guidance.

PLASTIC

## Weather Resistant Access Covers

All access covers have IP4X (AS 60529) protection against ingress of foreign objects. **Rhinocast®** access covers offer water & gas tightness to AS 3996.

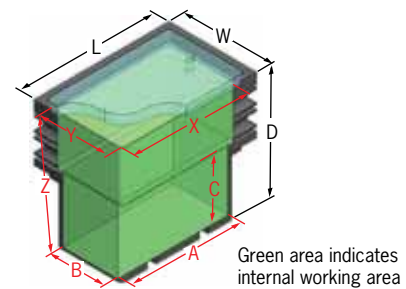


### Type 7 Pit Parts List<sup>6</sup>

Description	Part No.	Weight (kg)	
Type 7 plastic pit	76132	34	
Lids & Covers		Cover <sup>1</sup>	Total
Cement concrete 2-part lid (AS 3996 Class A) - Blank <sup>2</sup>	75155	23	49
Cement concrete 2-part lid (AS 3996 Class A) - Communications <sup>2</sup>	75156	23	49
Cement concrete 2-part lid (AS 3996 Class A) - Electricity <sup>2</sup>	75157	23	49
Steel lid (AS 3996 Class B)	70720	21	21
Steel <b>PowerLok®</b> lid (AS 3996 Class B) <sup>2,3</sup>	70730	24	24
Steel <b>Urbanfil®</b> recessed 2-part cover (AS 3996 Class B) <sup>4</sup>	82606	16	47
Steel <b>Pavermate®</b> recessed 2-part cover (AS 3996 Class B) <sup>4</sup>	82398	17	48
Ductile iron <b>Rhinocast®</b> recessed 2-part cover (AS 3996 Class B) <sup>5</sup>	85444	28	89
Ductile iron <b>Rhinocast®</b> solid top 2-part cover (AS 3996 Class B) <sup>5</sup>	80753	28	83

**Notes:**

- Lid & access cover weights are provided as lifting weight (individual cover parts) and total weight. Recessed covers weight do not include pavement infill; for approx. lifting weight - **Urbanfil®**/**Pavermate®** covers - multiply weight by '7'; **Rhinocast®** covers multiply weight by '1.5'.
- All lids are supplied with brackets and support bars where applicable.
- PowerLok®** lids supplied with locking bolt (padlock not supplied).
- Optional brass edging (Specify 'BE' after part number).
- Optional locking, brass or stainless steel edging in 12mm or 40mm heights (Specify 'BE' or 'SS' and height after part number).
- For Accessories (e.g. identification plates, divider brackets, cable hanger brackets see pg 43).



### Pit Dimensions

Internal working area	(mm)
A	865
B	410
C	695
X	910
Y	455
Z	1090
Overall dimensions	(mm)
L	1020
W	565
D	1145

**Notes:**

- Using risers will increase pit depth (Z & D) by depth of riser.
- Access covers will increase depth of pit by height of concrete collar - allowance should be made for concrete collar during pit installation. See pg 82 for excavation details.