

## Polyethylene Moulded Cable Pits





Polyethylene moulded pits are lightweight, easy to cut and feature a ribbed construction for strength and durability. Recommended for light duty applications, they are robust, cost-effective and versatile.

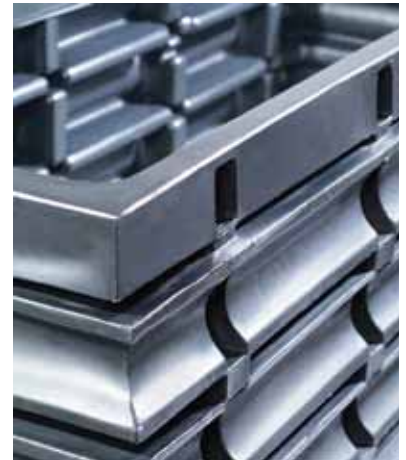
### Features

- Polyethylene recyclable plastic contains no toxic heavy metals – safe for the environment
- Ideal for use in light duty installations
- Lightweight, easy to handle & cut for cable entry penetration
- UV stable
- Range of anti-slip lids and access covers
- OH&S friendly steel lids not exceeding 25kg
- IP ratings up to IP4X (AS 60529) - enclosure protection against ingress
- Aesthetic, recessed access covers allowing for the infill of pavement material to complement or match the surrounding pavement
- Steel lids and access covers are hot dip galvanised to AS 4680
- Access covers are weather resistant

### Key

These icons appear on the following product pages to easily identify the lid and cover options available with each pit/riser.

-  Plastic pit with lid
-  Plastic pit with riser and lid
-  Plastic pit with access cover
-  Plastic pit with riser and access cover



FEA designed continuous ribs for the efficient transfer of loads.



Versatile pit walls contain cutoffs to alter the depth of the pit.



Fastening provisions for the quick fitting of locking brackets for the **PowerLok**® lid system.

## Applications

- *Landscaped areas*
- *Streetscapes*
- *Sports venues*
- *Residential applications*
- *Median strips*





# Type 1 Pit

Length 520mm  
Width 240mm  
Depth 400mm



Up to 600mm (1 riser)

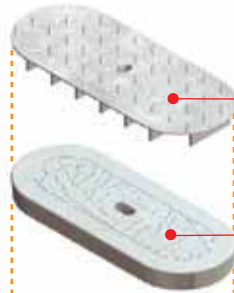
**Product Selection Steps**

Once pit type is determined:

1. Determine if riser is required.
2. Select lid or access cover (adds additional depth) to suit project application.

# PLASTIC

## Lids



Steel lid (AS 3996 Class B).  
Slip Resistance Rating R10 AS/NZS 4586.  
IP4X (AS 60529) protection against ingress of foreign objects if fitted with universal plug.  
If a locking lid is required, contact ACO.

Cement concrete lid (AS 3996 Class A).  
Slip Resistance Rating R9 AS/NZS 4586.  
IP4X (AS 60529) protection against ingress of foreign objects if fitted with universal plug.

## Riser



Optional riser to increase pit depth, riser rebate is identical to pit rebate and with lid, offers the same IP protection. To produce riser, cut base off another pit to appropriate length. ACO recommends no more than 1 riser. Riser adds 200mm depth.

Note: Access covers fit above pit/riser, refer to pg 80 for installation guidelines.

## Pit



Continuous ribbed wall design for maximum wall strength. All plastic pits have undergone FEA analysis to ensure optimum pit performance.

Lids fit into rebate at top of pit, whilst access covers must be installed in a cast in situ concrete collar.

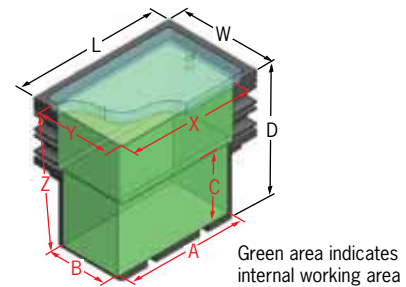
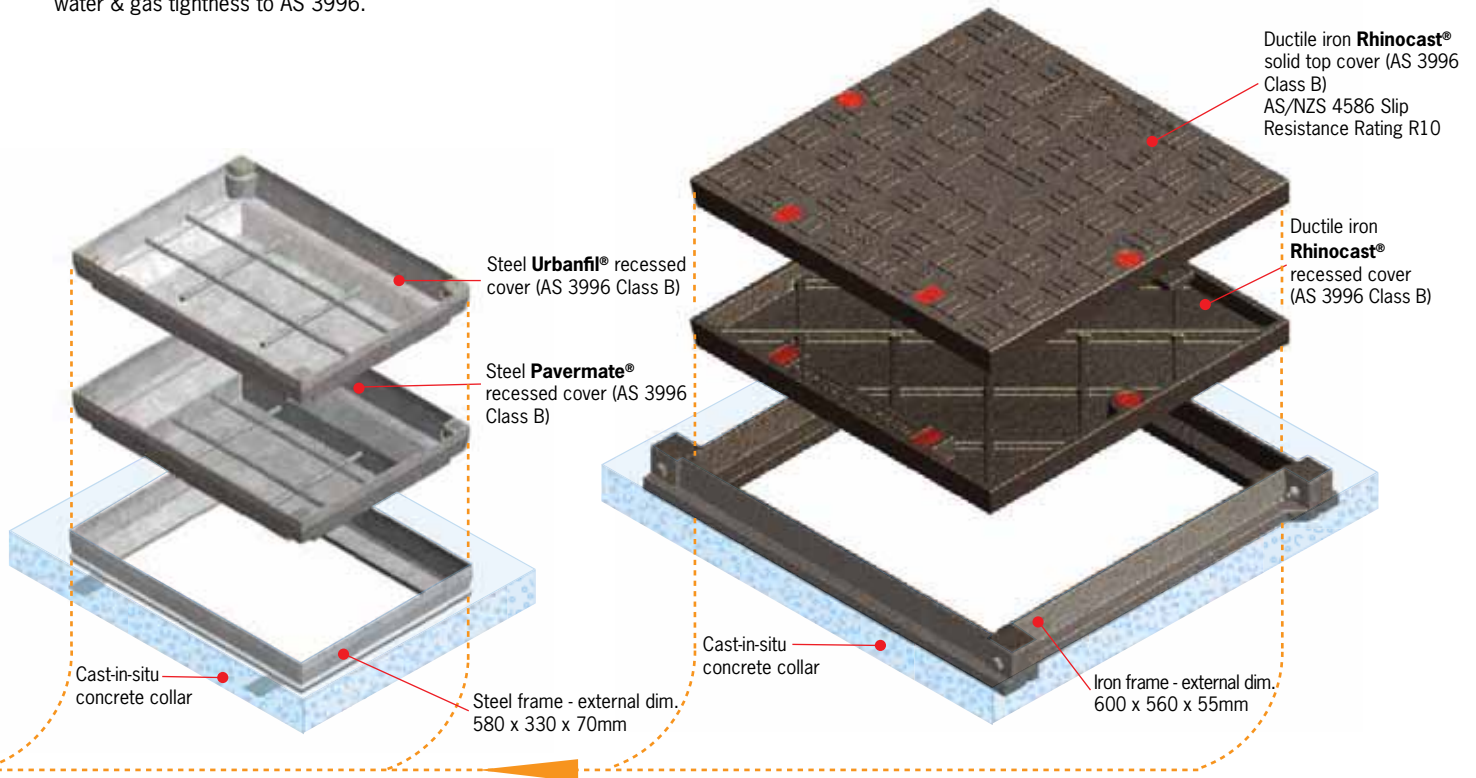
Pit can be cut at specific points to create a shallower pit.

Use holesaw to cut conduit hole anywhere on side wall. The maximum number of holes recommended per pit is limited by conduit quantity and size. Contact ACO for guidance.

Plastic pit construction offers an economic pit solution for light duty applications. Plastic also offers excellent electrical resistivity.

## Weather Resistant Access Covers

All access covers have IP4X (AS 60529) protection against ingress of foreign objects. **Rhinocast®** access covers offer water & gas tightness to AS 3996.



### Type 1 Pit Parts List<sup>4</sup>

Description	Part No.	Weight (kg)
Type 1 plastic pit	75858	3
<b>Lids &amp; Covers</b>		<b>Cover<sup>1</sup> Total</b>
Cement concrete lid (AS 3996 Class A) - Blank	75860	7 7
Cement concrete lid (AS 3996 Class A) - Communications	75861	7 7
Cement concrete lid (AS 3996 Class A) - Electricity	75862	7 7
Steel lid (AS 3996 Class B)	70120	3 3
Steel <b>Urbanfil®</b> recessed cover (AS 3996 Class B) <sup>2</sup>	80150	8 13
Steel <b>Pavermate®</b> recessed cover (AS 3996 Class B) <sup>2</sup>	80151	8 13
Ductile iron <b>Rhinocast®</b> recessed cover (AS 3996 Class B) <sup>3</sup>	85014	28 40
Ductile iron <b>Rhinocast®</b> solid top cover (AS 3996 Class B) <sup>3</sup>	85249	20 44

**Notes:**

- Lid & access cover weights are provided as lifting weight (individual cover parts) and total weight. Recessed covers weight do not include pavement infill; for approx. lifting weight - **Urbanfil®**/**Pavermate®** covers - multiply weight by '7'; **Rhinocast®** covers multiply weight by '1.5'.
- Optional brass edging (Specify 'BE' after part number).
- Optional locking, brass or stainless steel edging in 12mm or 40mm heights (Specify 'BE' or 'SS' and height after part number).
- For Accessories (e.g. identification plates, divider brackets, cable hanger brackets see pg 43).

### Pit Dimensions

Internal working area	(mm)
A	350
B	140
C	160
X	430
Y	150
Z	355
<b>Overall dimensions (mm)</b>	
L	520
W	240
D	400

**Notes:**

- Using risers will increase pit depth (Z & D) by depth of riser.
- Access covers will increase depth of pit by height of concrete collar - allowance should be made for concrete collar during pit installation. See pg 82 for excavation details.



# Type 2 Pit

Length	660mm		Up to 775mm (1 riser)
Width	290mm		
Depth	575mm		

### Product Selection Steps

Once pit type is determined:

1. Determine if riser is required.
2. Select lid or access cover (adds additional depth) to suit project application.

## Lids



Steel lid (AS 3996 Class B).  
Slip Resistance Rating R10 AS/NZS 4586.  
IP4X (AS 60529) protection against ingress of foreign objects if fitted with universal plug. If a locking lid is required, contact ACO.

Cement concrete lid (AS 3996 Class A).  
Slip Resistance Rating R9 AS/NZS 4586.  
IP4X (AS 60529) protection against ingress of foreign objects if fitted with universal plug.

## Riser



Optional riser to increase pit depth, riser rebate is identical to pit rebate and with lid, offers the same IP protection. To produce riser, cut base off another pit to appropriate length. ACO recommends no more than 1 riser. Riser adds 200mm depth.

Note: Access covers fit above pit/riser, refer to pg 80 for installation guidelines.

## Pit



Continuous ribbed wall design for maximum wall strength. All plastic pits have undergone FEA analysis to ensure optimum pit performance.

Lids fit into rebate at top of pit, whilst access covers must be installed in a cast in situ concrete collar.

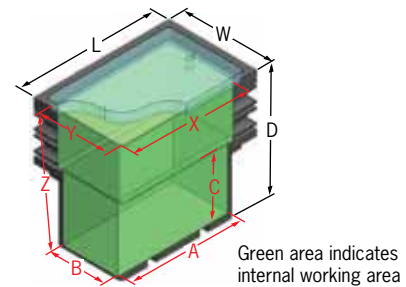
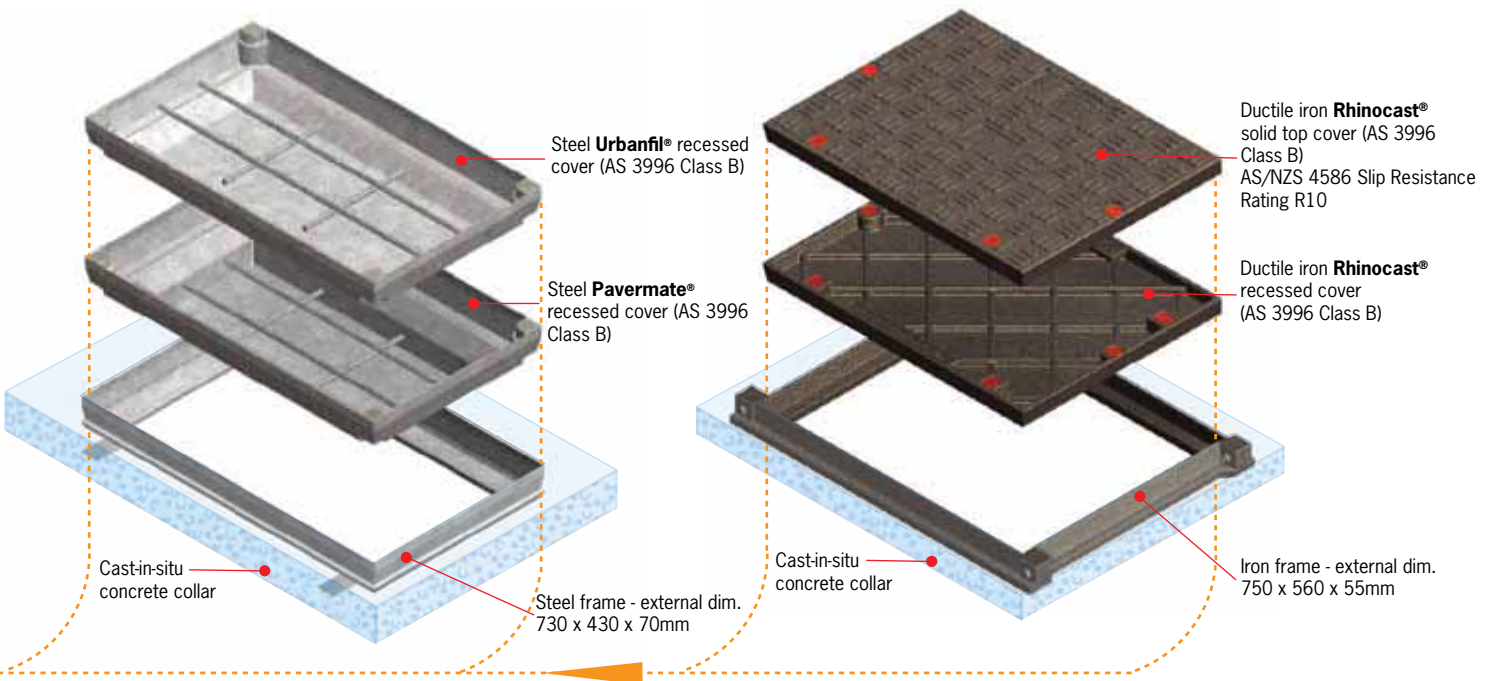
Pit can be cut at specific points to create a shallower pit.

Use holesaw to cut conduit hole anywhere on side wall. The maximum number of holes recommended per pit is limited by conduit quantity and size. Contact ACO for guidance.

Plastic pit construction offers an economic pit solution for light duty applications. Plastic also offers excellent electrical resistivity.

## Weather Resistant Access Covers

All access covers have IP4X (AS 60529) protection against ingress of foreign objects. **Rhinocast®** access covers offer water & gas tightness to AS 3996.



### Type 2 Pit Parts List<sup>4</sup>

Description	Part No.	Weight (kg)	
Type 2 plastic pit	75946	6	
<b>Lids &amp; Covers</b>		<b>Cover<sup>1</sup></b>	<b>Total</b>
Cement concrete lid (AS 3996 Class A) - Blank	75948	13	13
Cement concrete lid (AS 3996 Class A) - Communications	75949	13	13
Cement concrete lid (AS 3996 Class A) - Electricity	75950	13	13
Steel lid (AS 3996 Class B)	70220	6	6
Steel <b>Urbanfil®</b> recessed cover (AS 3996 Class B) <sup>2</sup>	81225	11	16
Steel <b>Pavermate®</b> recessed cover (AS 3996 Class B) <sup>2</sup>	81340	11	16
Ductile iron <b>Rhinocast®</b> recessed cover (AS 3996 Class B) <sup>3</sup>	85037	28	49
Ductile iron <b>Rhinocast®</b> solid top cover (AS 3996 Class B) <sup>3</sup>	85236	28	47

**Notes:**

- Lid & access cover weights are provided as lifting weight (individual cover parts) and total weight. Recessed covers weight do not include pavement infill; for approx. lifting weight - **Urbanfil®/Pavermate®** covers - multiply weight by '7'; **Rhinocast®** covers multiply weight by '1.5'.
- Optional brass edging (Specify 'BE' after part number).
- Optional locking, brass or stainless steel edging in 12mm or 40mm heights (Specify 'BE' or 'SS' and height after part number).
- For Accessories (e.g. identification plates, divider brackets, cable hanger brackets see pg 43).

### Pit Dimensions

Internal working area (mm)	
A	430
B	165
C	325
X	570
Y	200
Z	520
Overall dimensions (mm)	
L	660
W	290
D	575

**Notes:**

- Using risers will increase pit depth (Z & D) by depth of riser.
- Access covers will increase depth of pit by height of concrete collar - allowance should be made for concrete collar during pit installation. See pg 82 for excavation details.



# Type 3 Pit

Length 565mm  
Width 335mm  
Depth 530mm



Up to 830mm (1 riser)

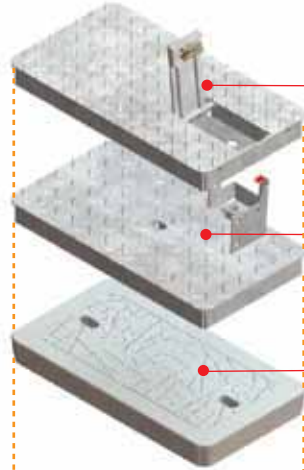
### Product Selection Steps

Once pit type is determined:

1. Determine if riser is required.
2. Select lid or access cover (adds additional depth) to suit project application.

# PLASTIC

## Lids



Steel **PowerLok**® lid (AS 3996 Class B). Slip Resistance Rating R10 AS/NZS 4586. IP2XD (AS 60529) protection against ingress of foreign objects when hatch is closed.

Steel lid (AS 3996 Class B). Slip Resistance Rating R10 AS/NZS 4586. IP4X (AS 60529) protection against ingress of foreign objects if fitted with universal plug.

Cement concrete lid (AS 3996 Class A). Slip Resistance Rating R9 AS/NZS 4586. IP4X (AS 60529) protection against ingress of foreign objects if fitted with universal plug.

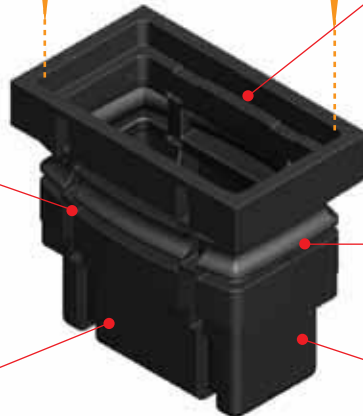
## Riser



Optional riser to increase pit depth, riser rebate is identical to pit rebate and with lid, offers the same IP protection. To produce riser, cut base off another pit to appropriate length. ACO recommends no more than 1 riser. Riser adds 300mm depth.

Note: Access covers fit above pit/riser, refer to pg 80 for installation guidelines.

## Pit



Continuous ribbed wall design for maximum wall strength. All plastic pits have undergone FEA analysis to ensure optimum pit performance.

Lids fit into rebate at top of pit, whilst access covers must be installed in a cast in situ concrete collar.

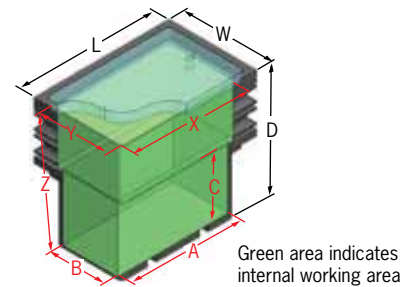
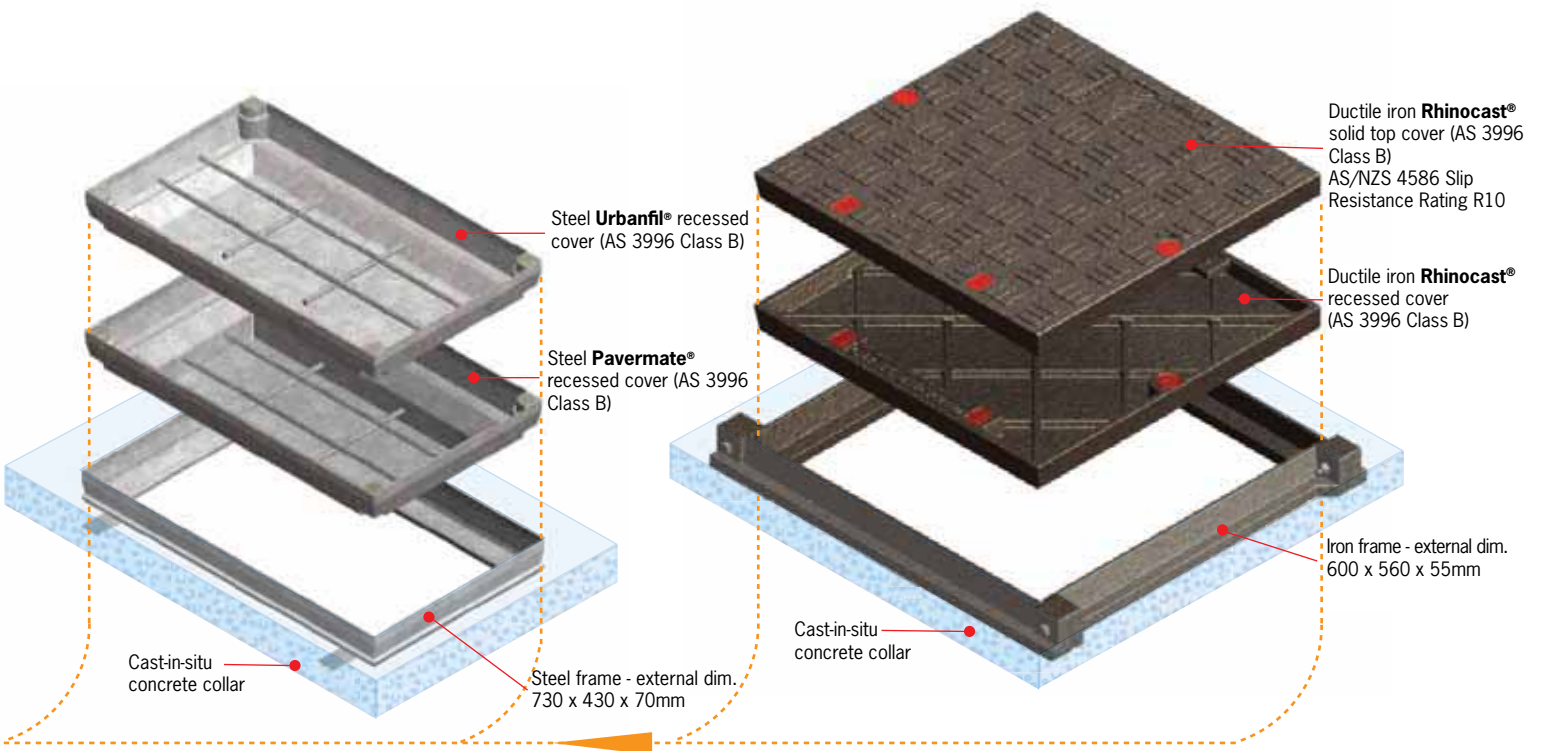
Pit can be cut at specific points to create a shallower pit.

Use holesaw to cut conduit hole anywhere on side wall. The maximum number of holes recommended per pit is limited by conduit quantity and size. Contact ACO for guidance.

Plastic pit construction offers an economic pit solution for light duty applications. Plastic also offers excellent electrical resistivity.

### Weather Resistant Access Covers

All access covers have IP4X (AS 60529) protection against ingress of foreign objects. **Rhinocast®** access covers offer water & gas tightness to AS 3996.



Green area indicates internal working area

### Type 3 Pit Parts List<sup>6</sup>

Description	Part No.	Weight (kg)	
Type 3 plastic pit	75865	6	
<b>Lids &amp; Covers</b>		<b>Cover<sup>1</sup></b>	<b>Total</b>
Cement concrete lid (AS 3996 Class A) - Blank	75881	13	13
Cement concrete lid (AS 3996 Class A) - Communications	75898	13	13
Cement concrete lid (AS 3996 Class A) - Electricity	75906	13	13
Steel lid (AS 3996 Class B)	70320	6	6
Steel <b>PowerLok®</b> lid (AS 3996 Class B) <sup>2,3</sup>	70330	9	9
Steel <b>Urbanfil®</b> recessed cover (AS 3996 Class B) <sup>4</sup>	81225	11	16
Steel <b>Pavermate®</b> recessed cover (AS 3996 Class B) <sup>4</sup>	81340	11	16
Ductile iron <b>Rhinocast®</b> recessed cover (AS 3996 Class B) <sup>5</sup>	85014	28	40
Ductile iron <b>Rhinocast®</b> solid top cover (AS 3996 Class B) <sup>5</sup>	85249	20	44

**Notes:**

- Lid & access cover weights are provided as lifting weight (individual cover parts) and total weight. Recessed covers weight do not include pavement infill; for approx. lifting weight - **Urbanfil®**/**Pavermate®** covers - multiply weight by 7; **Rhinocast®** covers multiply weight by '1.5'.
- All lids are supplied with brackets and support bars where applicable.
- PowerLok®** lids supplied with locking bolt (padlock not supplied).
- Optional brass edging (Specify 'BE' after part number).
- Optional locking, brass or stainless steel edging in 12mm or 40mm heights (Specify 'BE' or 'SS' and height after part number).
- For Accessories (e.g. identification plates, divider brackets, cable hanger brackets see pg 43).

### Pit Dimensions

Internal working area (mm)	
A	435
B	205
C	180
X	455
Y	225
Z	475
Overall dimensions (mm)	
L	565
W	335
D	530

**Notes:**

- Using risers will increase pit depth (Z & D) by depth of riser.
- Access covers will increase depth of pit by height of concrete collar - allowance should be made for concrete collar during pit installation. See pg 82 for excavation details.





# Type 4 Pit

Length 715mm  
Width 410mm  
Depth 800mm



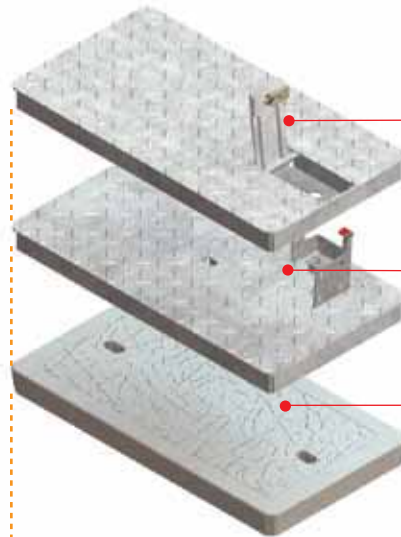
Up to  
1,100mm (1 riser)

### Product Selection Steps

Once pit type is determined:

1. Determine if riser is required.
2. Select lid or access cover (adds additional depth) to suit project application.

## Lids



Steel **PowerLok**® lid (AS 3996 Class B).  
Slip Resistance Rating R10 AS/NZS 4586.  
IP2XD (AS 60529) protection against ingress of foreign objects when hatch is closed.

Steel lid (AS 3996 Class B).  
Slip Resistance Rating R10 AS/NZS 4586.  
IP4X (AS 60529) protection against ingress of foreign objects if fitted with universal plug.

Cement concrete lid (AS 3996 Class A).  
Slip Resistance Rating R9 AS/NZS 4586.  
IP4X (AS 60529) protection against ingress of foreign objects if fitted with universal plug.

## Riser



Optional riser to increase pit depth, riser rebate is identical to pit rebate and with lid, offers the same IP protection. To produce riser, cut base off another pit to appropriate length. ACO recommends no more than 1 riser. Riser adds 300mm depth.

Note: Access covers fit above pit/riser, refer to pg 80 for installation guidelines.

## Pit



Continuous ribbed wall design for maximum wall strength. All plastic pits have undergone FEA analysis to ensure optimum pit performance.

Lids fit into rebate at top of pit, whilst access covers must be installed in a cast in situ concrete collar.

Pit can be cut at specific points to create a shallower pit.

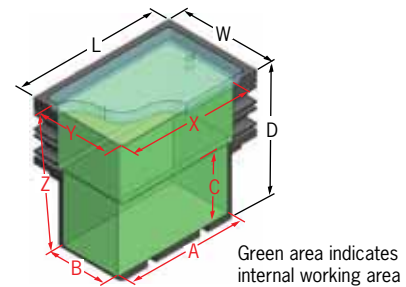
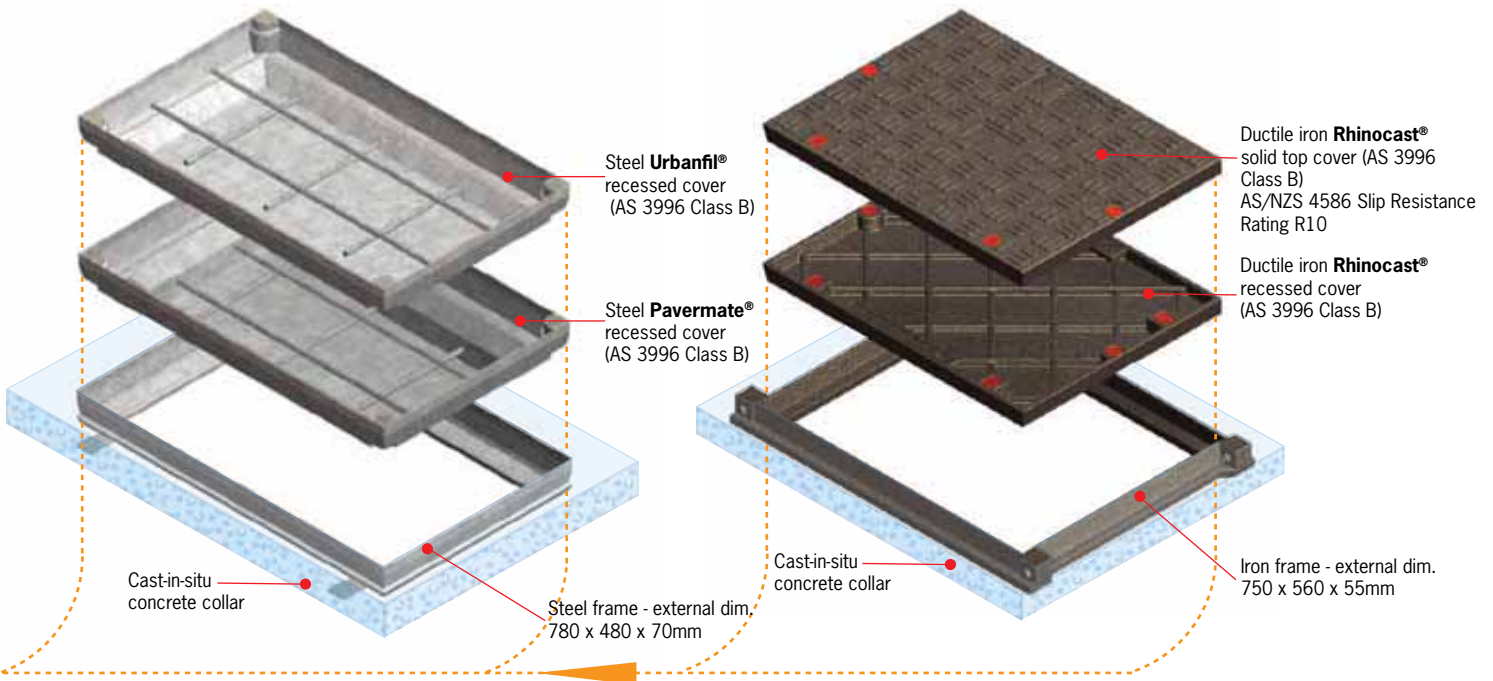
Use holesaw to cut conduit hole anywhere on side wall. The maximum number of holes recommended per pit is limited by conduit quantity and size. Contact ACO for guidance.

Plastic pit construction offers an economic pit solution for light duty applications. Plastic also offers excellent electrical resistivity.

PLASTIC

## Weather Resistant Access Covers

All access covers have IP4X (AS 60529) protection against ingress of foreign objects. **Rhinocast®** access covers offer water & gas tightness to AS 3996.



### Type 4 Pit Parts List<sup>6</sup>

Description	Part No.	Weight (kg)	
Type 4 plastic pit	75957	12	
<b>Lids &amp; Covers</b>		<b>Cover<sup>1</sup></b>	<b>Total</b>
Cement concrete lid (AS 3996 Class A) - Blank	75979	21	21
Cement concrete lid (AS 3996 Class A) - Communications	75983	21	21
Cement concrete lid (AS 3996 Class A) - Electricity	75990	21	21
Steel lid (AS 3996 Class B)	70420	11	11
Steel <b>PowerLok®</b> lid (AS 3996 Class B) <sup>2,3</sup>	70430	14	14
Steel <b>Urbanfil®</b> recessed cover (AS 3996 Class B) <sup>4</sup>	80450	11	16
Steel <b>Pavermate®</b> recessed cover (AS 3996 Class B) <sup>4</sup>	80451	11	17
Ductile iron <b>Rhinocast®</b> recessed cover (AS 3996 Class B) <sup>5</sup>	85037	28	49
Ductile iron <b>Rhinocast®</b> solid top cover (AS 3996 Class B) <sup>5</sup>	85236	28	47

**Notes:**

- Lid & access cover weights are provided as lifting weight (individual cover parts) and total weight. Recessed covers weight do not include pavement infill; for approx. lifting weight - **Urbanfil®**/**Pavermate®** covers - multiply weight by '7'; **Rhinocast®** covers multiply weight by '1.5'.
- All lids are supplied with brackets and support bars where applicable.
- PowerLok®** lids supplied with locking bolt (padlock not supplied).
- Optional brass edging (Specify 'BE' after part number).
- Optional locking, brass or stainless steel edging in 12mm or 40mm heights (Specify 'BE' or 'SS' and height after part number).
- For Accessories (e.g. identification plates, divider brackets, cable hanger brackets see pg 43).

### Pit Dimensions

Internal working area (mm)	
A	565
B	260
C	450
X	605
Y	300
Z	745
Overall dimensions (mm)	
L	715
W	410
D	800

**Notes:**

- Using risers will increase pit depth (Z & D) by depth of riser.
- Access covers will increase depth of pit by height of concrete collar - allowance should be made for concrete collar during pit installation. See pg 82 for excavation details.



# Type 5 Pit

Length 715mm  
Width 465mm  
Depth 635mm



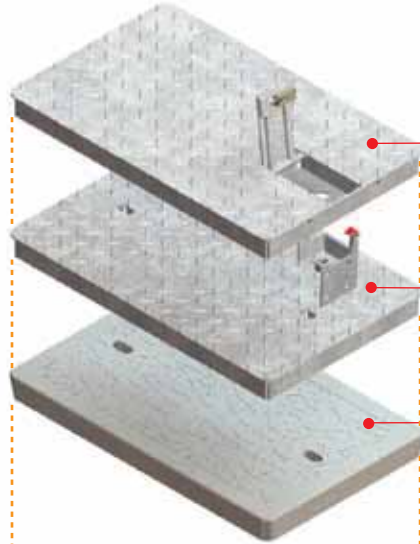
Up to  
935mm (1 riser)

**Product Selection Steps**

Once pit type is determined:

1. Determine if riser is required.
2. Select lid or access cover (adds additional depth) to suit project application.

## Lids



Steel **PowerLok**® lid (AS 3996 Class B).  
Slip Resistance Rating R10 AS/NZS 4586.  
IP2XD (AS 60529) protection against ingress of foreign objects when hatch is closed.

Steel lid (AS 3996 Class B).  
Slip Resistance Rating R10 AS/NZS 4586.  
IP4X (AS 60529) protection against ingress of foreign objects if fitted with universal plug.

Cement concrete lid (AS 3996 Class A).  
Slip Resistance Rating R9 AS/NZS 4586.  
IP4X (AS 60529) protection against ingress of foreign objects if fitted with universal plug.

## Riser

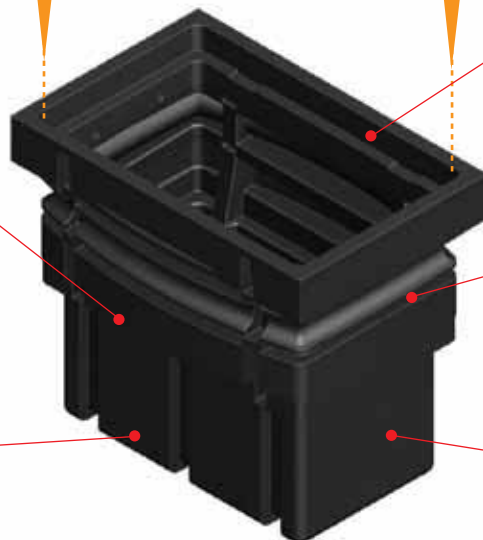
Optional riser to increase pit depth, riser rebate is identical to pit rebate and with lid, offers the same IP protection. To produce riser, cut base off another pit to appropriate length. ACO recommends no more than 1 riser. Riser adds 300mm depth.



Note: Access covers fit above pit/riser, refer to pg 80 for installation guidelines.

## Pit

Continuous ribbed wall design for maximum wall strength. All plastic pits have undergone FEA analysis to ensure optimum pit performance.



Lids fit into rebate at top of pit, whilst access covers must be installed in a cast in situ concrete collar.

Pit can be cut at specific points to create a shallower pit.

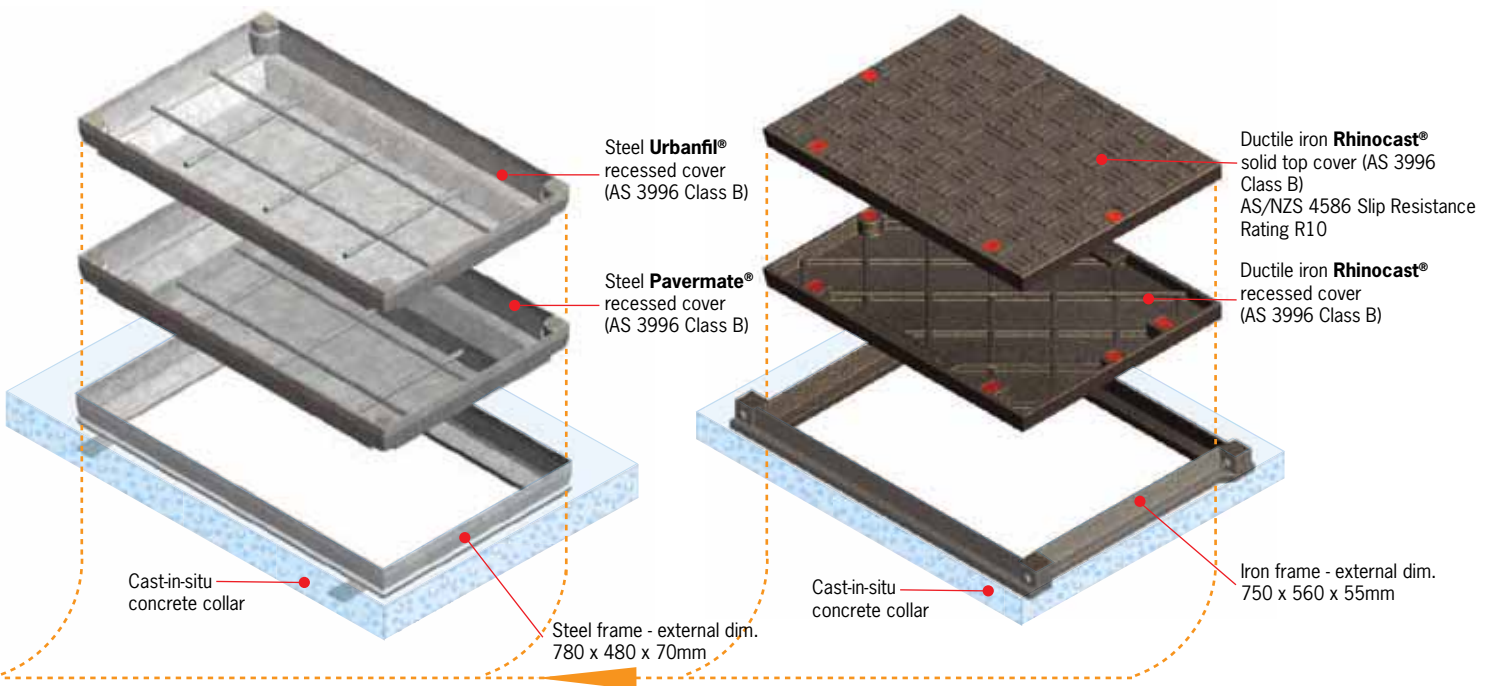
Use holesaw to cut conduit hole anywhere on side wall. The maximum number of holes recommended per pit is limited by conduit quantity and size. Contact ACO for guidance.

Plastic pit construction offers an economic pit solution for light duty applications. Plastic also offers excellent electrical resistivity.

PLASTIC

### Weather Resistant Access Covers

All access covers have IP4X (AS 60529) protection against ingress of foreign objects. **Rhinocast®** access covers offer water & gas tightness to AS 3996.

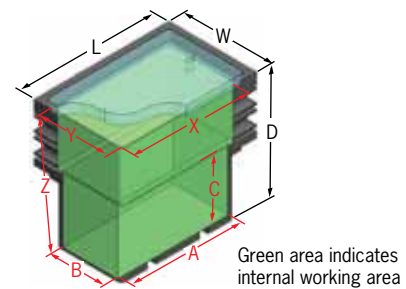


### Type 5 Pit Parts List<sup>6</sup>

Description	Part No.	Weight (kg)	
Type 5 plastic pit	76042	10	
<b>Lids &amp; Covers</b>		<b>Cover<sup>1</sup></b>	<b>Total</b>
Cement concrete lid (AS 3996 Class A) - Blank	76069	28	28
Cement concrete lid (AS 3996 Class A) - Communications	76073	28	28
Cement concrete lid (AS 3996 Class A) - Electricity	76080	28	28
Steel lid (AS 3996 Class B)	70520	11	11
Steel <b>PowerLok®</b> lid (AS 3996 Class B) <sup>2,3</sup>	70530	15	15
Steel <b>Urbanfil®</b> recessed cover (AS 3996 Class B) <sup>4</sup>	80450	11	16
Steel <b>Pavermate®</b> recessed cover (AS 3996 Class B) <sup>4</sup>	80451	11	17
Ductile iron <b>Rhinocast®</b> recessed cover (AS 3996 Class B) <sup>5</sup>	85037	28	49
Ductile iron <b>Rhinocast®</b> solid top cover (AS 3996 Class B) <sup>5</sup>	85236	28	47

**Notes:**

- Lid & access cover weights are provided as lifting weight (individual cover parts) and total weight. Recessed covers weight do not include pavement infill; for approx. lifting weight - **Urbanfil®/Pavermate®** covers - multiply weight by '7'; **Rhinocast®** covers multiply weight by '1.5'.
- All lids are supplied with brackets and support bars where applicable.
- PowerLok®** lids supplied with locking bolt (padlock not supplied).
- Optional brass edging (Specify 'BE' after part number).
- Optional locking, brass or stainless steel edging in 12mm or 40mm heights (Specify 'BE' or 'SS' and height after part number).
- For Accessories (e.g. identification plates, divider brackets, cable hanger brackets see pg 43).



### Pit Dimensions

Internal working area (mm)	
A	585
B	335
C	285
X	655
Y	355
Z	580
Overall dimensions (mm)	
L	715
W	465
D	635

**Notes:**

- Using risers will increase pit depth (Z & D) by depth of riser.
- Access covers will increase depth of pit by height of concrete collar - allowance should be made for concrete collar during pit installation. See pg 82 for excavation details.



# Type 6 Pit

Length 1,380mm  
Width 565mm  
Depth 670mm



Up to  
970mm (1 riser)

### Product Selection Steps

Once pit type is determined:

1. Determine if riser is required.
2. Select lid or access cover (adds additional depth) to suit project application.

## Lids

## Riser

## Pit



Steel **PowerLok**® 2-part lid (AS 3996 Class B). Slip Resistance Rating R10 AS/NZS 4586. IP2XD (AS 60529) protection against ingress of foreign objects when hatch is closed.

Steel 2-part lid (AS 3996 Class B). Slip Resistance Rating R10 AS/NZS 4586. IP4X (AS 60529) protection against ingress of foreign objects if fitted with universal plug.

Cement concrete 2-part lid (AS 3996 Class A). Slip Resistance Rating R9 AS/NZS 4586. IP4X (AS 60529) protection against ingress of foreign objects if fitted with universal plug.

Note: Access covers fit above pit/riser, refer to pg 80 for installation guidelines.

Optional riser to increase pit depth, riser rebate is identical to pit rebate and with lid, offers the same IP protection. To produce riser, cut base off another pit to appropriate length. ACO recommends no more than 1 riser. Riser adds 300mm depth.

Lids fit into rebate at top of pit, whilst access covers must be installed in a cast in situ concrete collar.

Pit can be cut at specific points to create a shallower pit.

Plastic pit construction offers an economic pit solution for light duty applications. Plastic also offers excellent electrical resistivity.

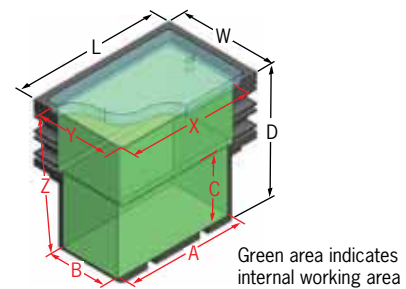
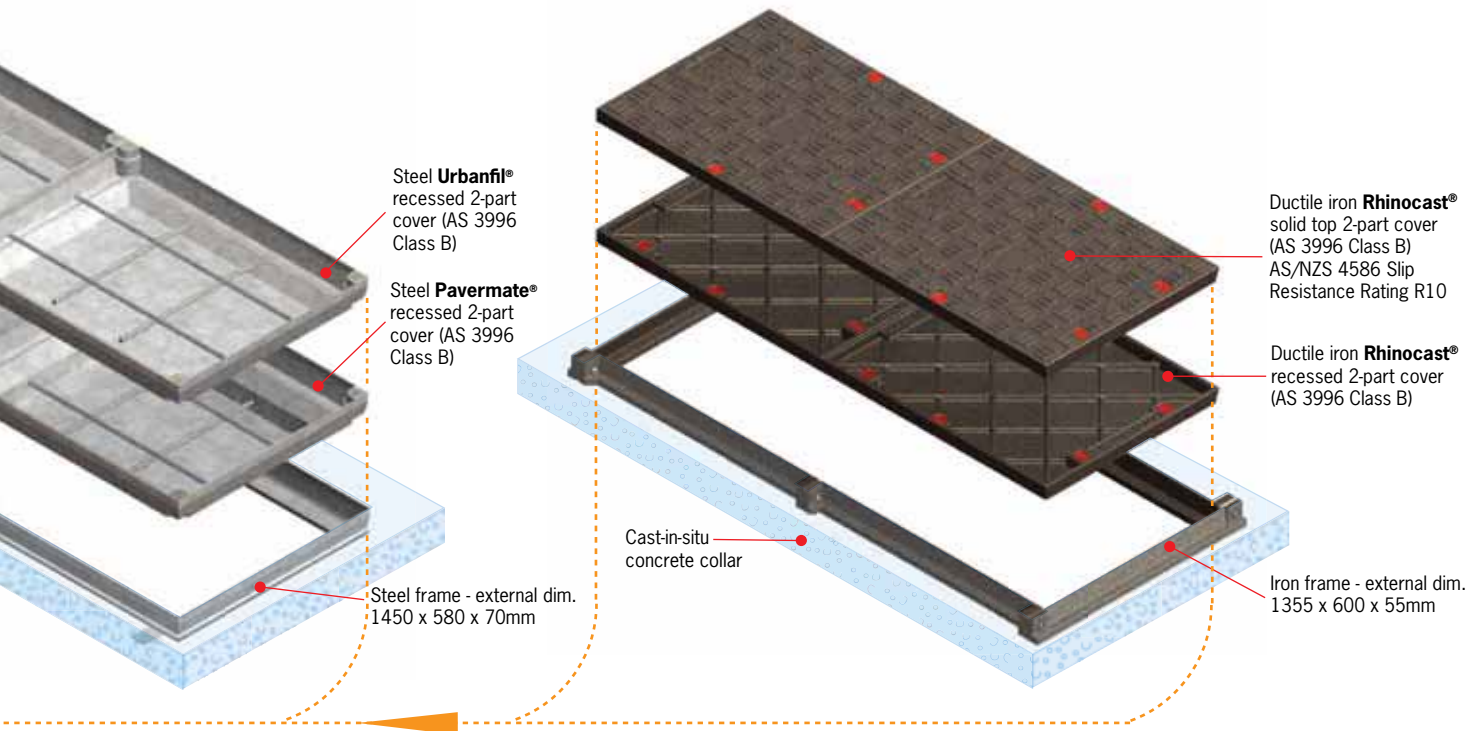
Use holesaw to cut conduit hole anywhere on side wall. The maximum number of holes recommended per pit is limited by conduit quantity and size. Contact ACO for guidance.

Continuous ribbed wall design for maximum wall strength. All plastic pits have undergone FEA analysis to ensure optimum pit performance.

PLASTIC

### Weather Resistant Access Covers

All access covers have IP4X (AS 60529) protection against ingress of foreign objects. **Rhinocast®** access covers offer water & gas tightness to AS 3996.



### Type 6 Pit Parts List<sup>6</sup>

Description	Part No.	Weight (kg)	
Type 6 plastic pit	75475	33	
<b>Lids &amp; Covers</b>		<b>Cover<sup>1</sup></b>	<b>Total</b>
Cement concrete 2-part lid (AS 3996 Class A) - Blank <sup>2</sup>	75010	33	69
Cement concrete 2-part lid (AS 3996 Class A) - Communications <sup>2</sup>	75011	33	69
Cement concrete 2-part lid (AS 3996 Class A) - Electricity <sup>2</sup>	75012	33	69
Steel 2-part lid (AS 3996 Class B)	76820	15	31
Steel <b>PowerLok®</b> 2-part lid (AS 3996 Class B) <sup>2,3</sup>	76830	20	39
Steel <b>Urbanfil®</b> recessed 2-part cover (AS 3996 Class B) <sup>4</sup>	82567	13	39
Steel <b>Pavermate®</b> recessed 2-part cover (AS 3996 Class B) <sup>4</sup>	82373	15	41
Ductile iron <b>Rhinocast®</b> recessed 2-part cover (AS 3996 Class B) <sup>5</sup>	85433	30	91
Ductile iron <b>Rhinocast®</b> solid top 2-part cover (AS 3996 Class B) <sup>5</sup>	86853	28	89

**Notes:**

- Lid & access cover weights are provided as lifting weight (individual cover parts) and total weight. Recessed covers weight do not include pavement infill; for approx. lifting weight - **Urbanfil®**/**Pavermate®** covers - multiply weight by '7'; **Rhinocast®** covers multiply weight by '1.5'.
- All lids are supplied with brackets and support bars where applicable.
- PowerLok®** lids supplied with locking bolt (padlock not supplied).
- Optional brass edging (Specify 'BE' after part number).
- Optional locking, brass or stainless steel edging in 12mm or 40mm heights (Specify 'BE' or 'SS' and height after part number).
- For Accessories (e.g. identification plates, divider brackets, cable hanger brackets see pg 43).

### Pit Dimensions

Internal working area (mm)	
A	1240
B	430
C	320
X	1270
Y	455
Z	615
Overall dimensions (mm)	
L	1380
W	565
D	670

**Notes:**

- Using risers will increase pit depth (Z & D) by depth of riser.
- Access covers will increase depth of pit by height of concrete collar - allowance should be made for concrete collar during pit installation. See pg 82 for excavation details.



# Type 7 Pit

Length 1,020mm  
Width 565mm  
Depth 1,145mm



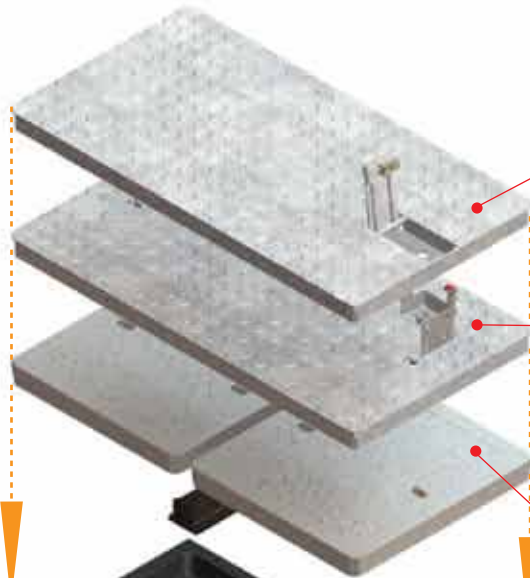
Up to  
1,545mm (1 riser)

**Product Selection Steps**

Once pit type is determined:

1. Determine if riser is required.
2. Select lid or access cover (adds additional depth) to suit project application.

## Lids



Steel **PowerLok**® lid (AS 3996 Class B). Slip Resistance Rating R10 AS/NZS 4586. IP2XD (AS 60529) protection against ingress of foreign objects when hatch is closed.

Steel lid (AS 3996 Class B). Slip Resistance Rating R10 AS/NZS 4586. IP4X (AS 60529) protection against ingress of foreign objects if fitted with universal plug.

Cement concrete 2-part lid (AS 3996 Class A). Slip Resistance Rating R9 AS/NZS 4586. IP4X (AS 60529) protection against ingress of foreign objects if fitted with universal plug.

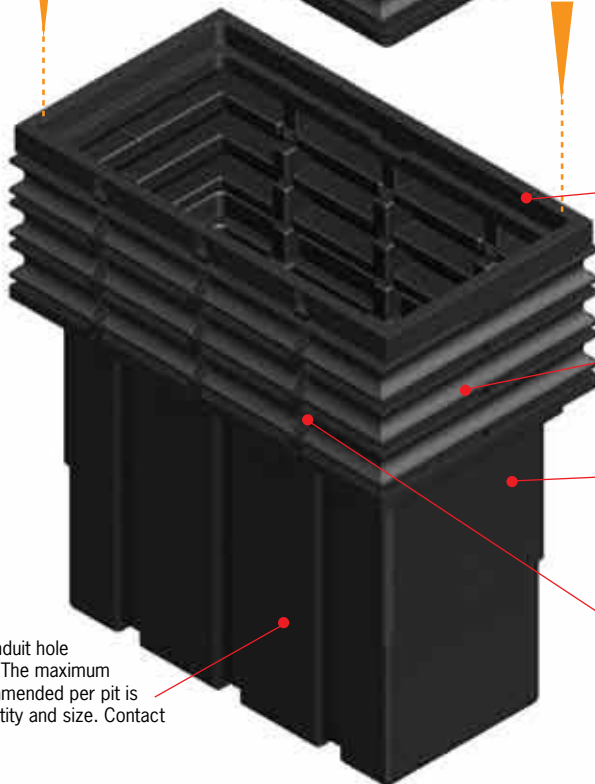


## Riser



Note: Access covers fit above pit/riser, refer to pg 80 for installation guidelines.

## Pit



Optional riser to increase pit depth, riser rebate is identical to pit rebate and with lid, offers the same IP protection. To produce riser, cut base off another pit to appropriate length. ACO recommends no more than 1 riser. Riser adds 400mm depth.

Lids fit into rebate at top of pit, whilst access covers must be installed in a cast in situ concrete collar.

Pit can be cut at specific points to create a shallower pit.

Plastic pit construction offers an economic pit solution for light duty applications. Plastic also offers excellent electrical resistivity.

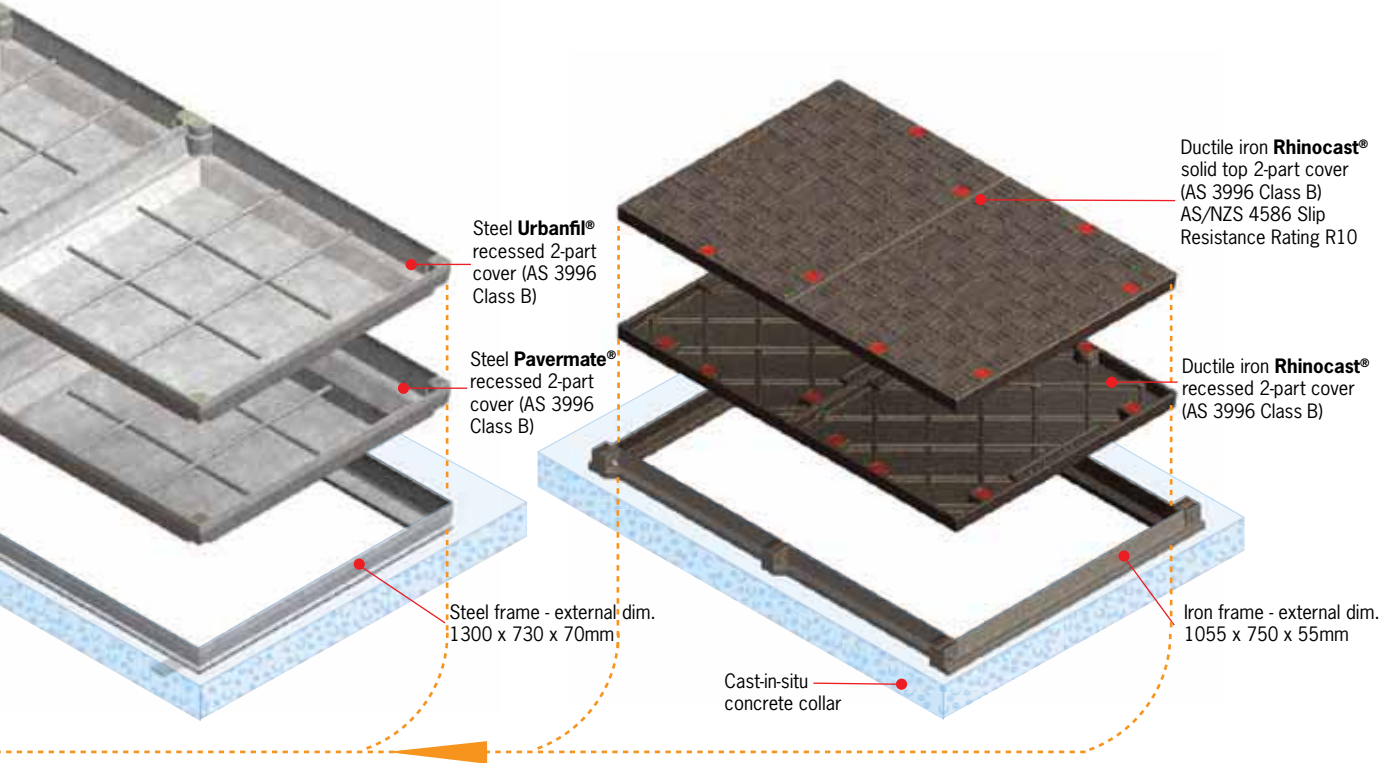
Continuous ribbed wall design for maximum wall strength. All plastic pits have undergone FEA analysis to ensure optimum pit performance.

Use holesaw to cut conduit hole anywhere on side wall. The maximum number of holes recommended per pit is limited by conduit quantity and size. Contact ACO for guidance.

PLASTIC

## Weather Resistant Access Covers

All access covers have IP4X (AS 60529) protection against ingress of foreign objects. **Rhinocast®** access covers offer water & gas tightness to AS 3996.

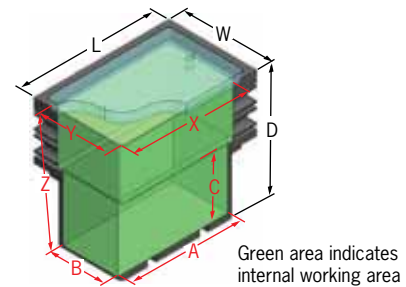


### Type 7 Pit Parts List<sup>6</sup>

Description	Part No.	Weight (kg)	
Type 7 plastic pit	76132	34	
<b>Lids &amp; Covers</b>		<b>Cover<sup>1</sup></b>	<b>Total</b>
Cement concrete 2-part lid (AS 3996 Class A) - Blank <sup>2</sup>	75155	23	49
Cement concrete 2-part lid (AS 3996 Class A) - Communications <sup>2</sup>	75156	23	49
Cement concrete 2-part lid (AS 3996 Class A) - Electricity <sup>2</sup>	75157	23	49
Steel lid (AS 3996 Class B)	70720	21	21
Steel <b>PowerLok®</b> lid (AS 3996 Class B) <sup>2,3</sup>	70730	24	24
Steel <b>Urbanfil®</b> recessed 2-part cover (AS 3996 Class B) <sup>4</sup>	82606	16	47
Steel <b>Pavermate®</b> recessed 2-part cover (AS 3996 Class B) <sup>4</sup>	82398	17	48
Ductile iron <b>Rhinocast®</b> recessed 2-part cover (AS 3996 Class B) <sup>5</sup>	85444	28	89
Ductile iron <b>Rhinocast®</b> solid top 2-part cover (AS 3996 Class B) <sup>5</sup>	80753	28	83

**Notes:**

- Lid & access cover weights are provided as lifting weight (individual cover parts) and total weight. Recessed covers weight do not include pavement infill; for approx. lifting weight - **Urbanfil®**/**Pavermate®** covers - multiply weight by '7'; **Rhinocast®** covers multiply weight by '1.5'.
- All lids are supplied with brackets and support bars where applicable.
- PowerLok®** lids supplied with locking bolt (padlock not supplied).
- Optional brass edging (Specify 'BE' after part number).
- Optional locking, brass or stainless steel edging in 12mm or 40mm heights (Specify 'BE' or 'SS' and height after part number).
- For Accessories (e.g. identification plates, divider brackets, cable hanger brackets see pg 43).



### Pit Dimensions

Internal working area (mm)	
A	865
B	410
C	695
X	910
Y	455
Z	1090
Overall dimensions (mm)	
L	1020
W	565
D	1145

**Notes:**

- Using risers will increase pit depth (Z & D) by depth of riser.
- Access covers will increase depth of pit by height of concrete collar - allowance should be made for concrete collar during pit installation. See pg 82 for excavation details.





# Type 8 Pit

Length 1,380mm  
Width 565mm  
Depth 890mm



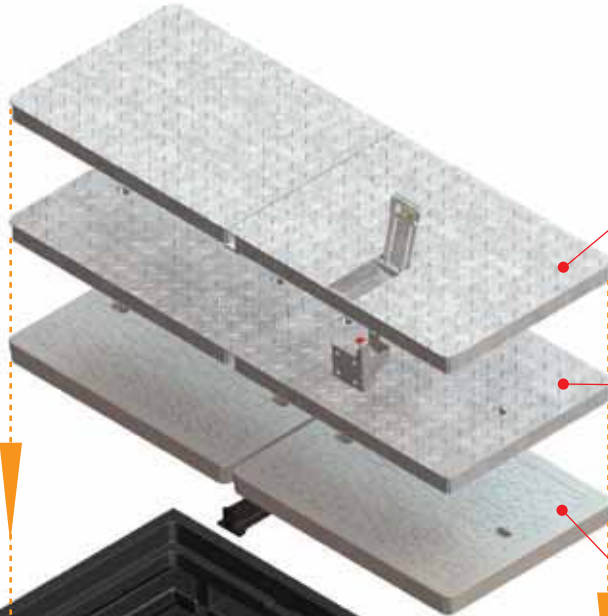
Up to  
1290mm (1 riser)

**Product Selection Steps**

Once pit type is determined:

1. Determine if riser is required.
2. Select lid or access cover (adds additional depth) to suit project application.

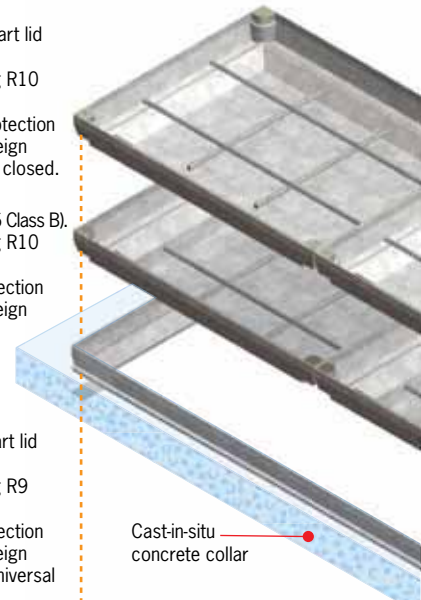
## Lids



Steel **PowerLok**® 2-part lid (AS 3996 Class B).  
Slip Resistance Rating R10 AS/NZS 4586.  
IP2XD (AS 60529) protection against ingress of foreign objects when hatch is closed.

Steel 2-part lid (AS 3996 Class B).  
Slip Resistance Rating R10 AS/NZS 4586.  
IP4X (AS 60529) protection against ingress of foreign objects if fitted with universal plug.

Cement concrete 2-part lid (AS 3996 Class A).  
Slip Resistance Rating R9 AS/NZS 4586.  
IP4X (AS 60529) protection against ingress of foreign objects if fitted with universal plug.



Cast-in-situ concrete collar

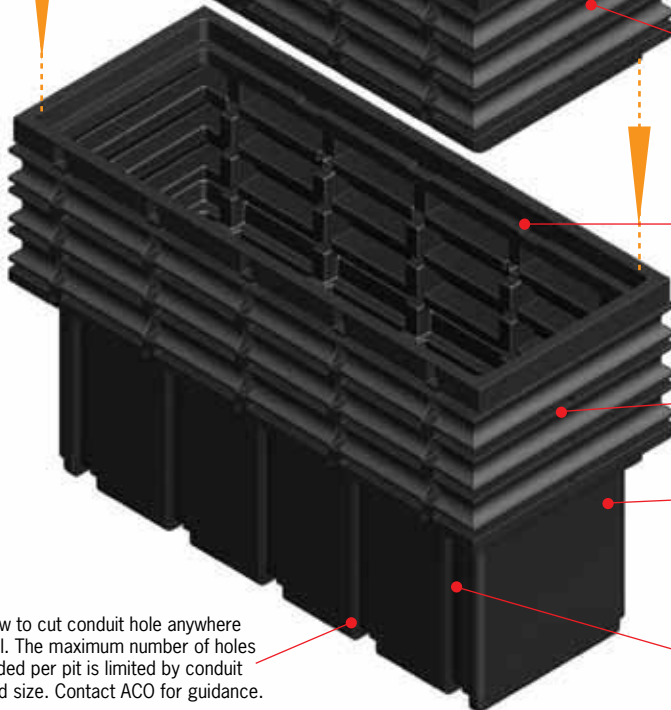
## Riser



Note: Access covers fit above pit/riser, refer to pg 80 for installation guidelines.

Optional riser to increase pit depth, riser rebate is identical to pit rebate and with lid, offers the same IP protection. To produce riser, cut base off another pit to appropriate length. ACO recommends no more than 1 riser. Riser adds 400mm depth.

## Pit



Lids fit into rebate at top of pit, whilst access covers must be installed in a cast in situ concrete collar.

Pit can be cut at specific points to create a shallower pit.

Plastic pit construction offers an economic pit solution for light duty applications. Plastic also offers excellent electrical resistivity.

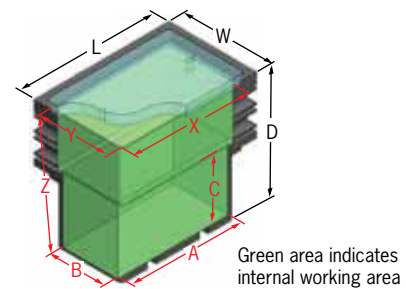
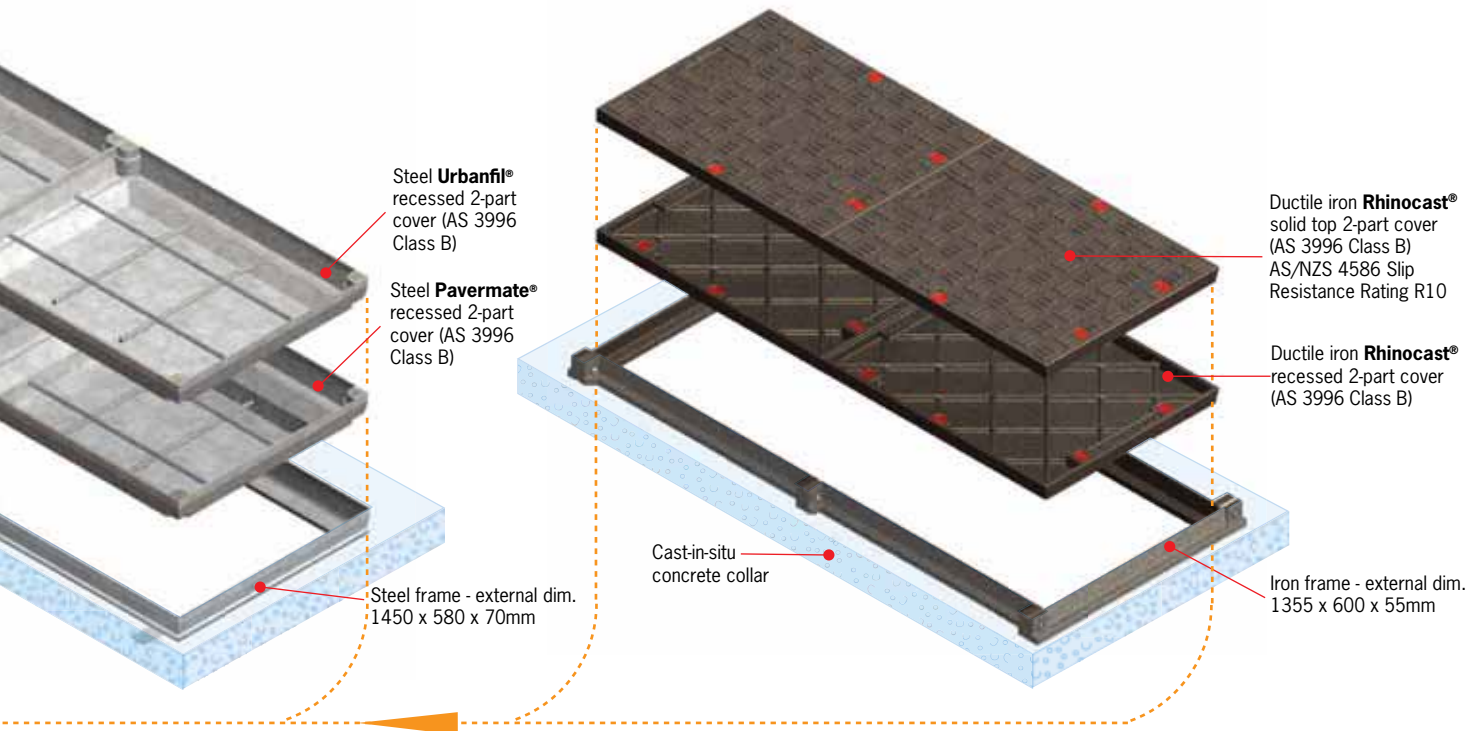
Use holesaw to cut conduit hole anywhere on side wall. The maximum number of holes recommended per pit is limited by conduit quantity and size. Contact ACO for guidance.

Continuous ribbed wall design for maximum wall strength. All plastic pits have undergone FEA analysis to ensure optimum pit performance.

PLASTIC

### Weather Resistant Access Covers

All access covers have IP4X (AS 60529) protection against ingress of foreign objects. **Rhinocast®** access covers offer water & gas tightness to AS 3996.



### Type 8 Pit Parts List<sup>6</sup>

Description	Part No.	Weight (kg)	
Type 8 plastic pit	75018	42	
Lids & Covers		Cover <sup>1</sup>	Total
Cement concrete 2-part lid (AS 3996 Class A) - Blank <sup>2</sup>	75010	33	69
Cement concrete 2-part lid (AS 3996 Class A) - Communications <sup>2</sup>	75011	33	69
Cement concrete 2-part lid (AS 3996 Class A) - Electricity <sup>2</sup>	75012	33	69
Steel 2-part lid (AS 3996 Class B)	76820	15	31
Steel <b>PowerLok®</b> 2-part lid (AS 3996 Class B) <sup>2,3</sup>	76830	20	39
Steel <b>Urbanfil®</b> recessed 2-part cover (AS 3996 Class B) <sup>4</sup>	82567	13	39
Steel <b>Pavermate®</b> recessed 2-part cover (AS 3996 Class B) <sup>4</sup>	82373	15	41
Ductile iron <b>Rhinocast®</b> recessed 2-part cover (AS 3996 Class B) <sup>5</sup>	85433	30	91
Ductile iron <b>Rhinocast®</b> solid top 2-part cover (AS 3996 Class B) <sup>5</sup>	86853	28	89

**Notes:**

- Lid & access cover weights are provided as lifting weight (individual cover parts) and total weight. Recessed covers weight do not include pavement infill; for approx. lifting weight - **Urbanfil®**/**Pavermate®** covers - multiply weight by '7'; **Rhinocast®** covers multiply weight by '1.5'.
- All lids are supplied with brackets and support bars where applicable.
- PowerLok®** lids supplied with locking bolt (padlock not supplied).
- Optional brass edging (Specify 'BE' after part number).
- Optional locking, brass or stainless steel edging in 12mm or 40mm heights (Specify 'BE' or 'SS' and height after part number).
- For Accessories (e.g. identification plates, divider brackets, cable hanger brackets see pg 43).

### Pit Dimensions

Internal working area (mm)	
A	1240
B	430
C	440
X	1270
Y	455
Z	835
Overall dimensions (mm)	
L	1380
W	565
D	890

**Notes:**

- Using risers will increase pit depth (Z & D) by depth of riser.
- Access covers will increase depth of pit by height of concrete collar - allowance should be made for concrete collar during pit installation. See pg 82 for excavation details.



# Type 9 Pit

Length 2,035mm  
 Width 565mm  
 Depth 890mm



Up to  
 1,290mm (1 riser)

**Product Selection Steps**

Once pit type is determined:

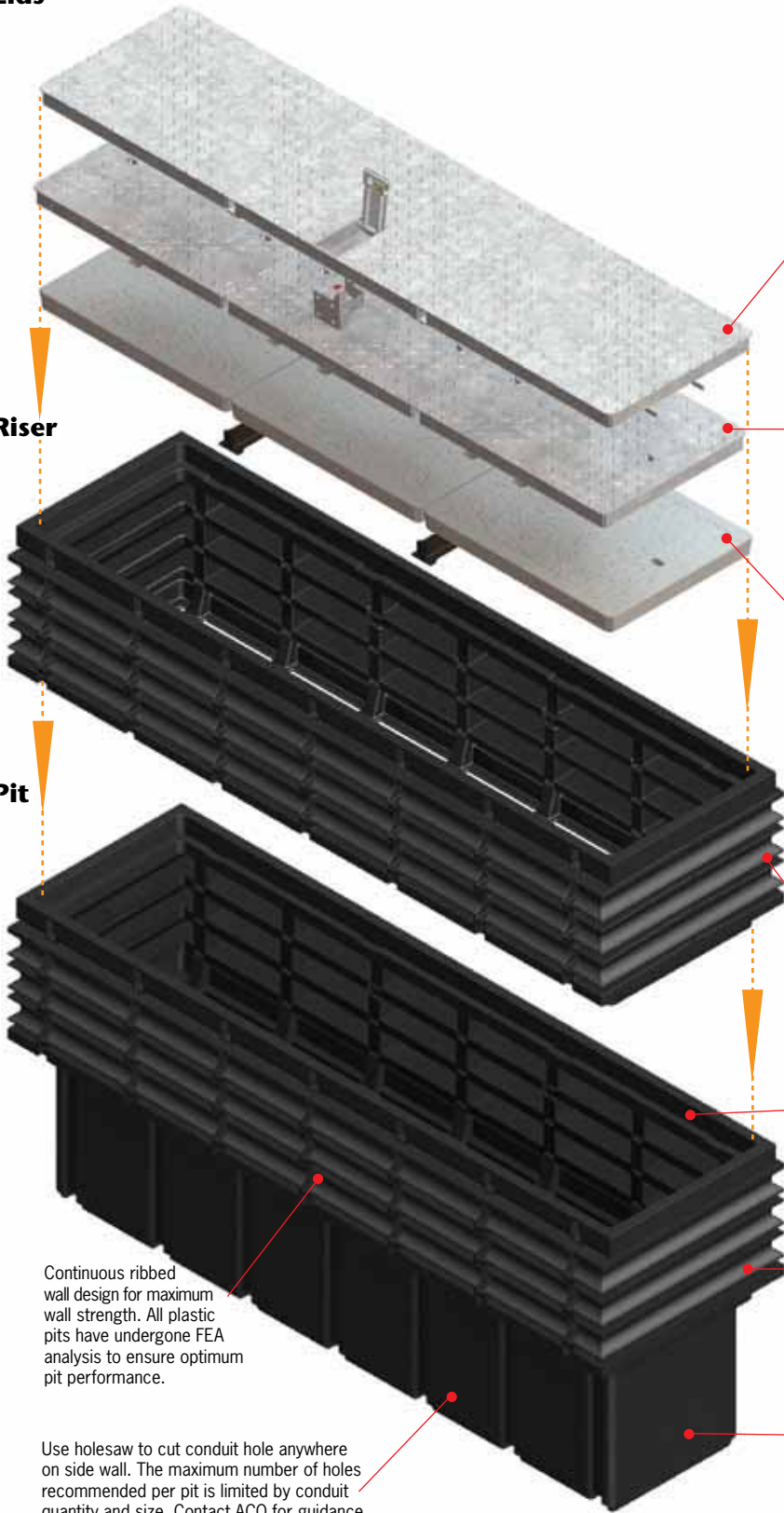
1. Determine if riser is required.
2. Select lid or access cover (adds additional depth) to suit project application.

## Lids

## Riser

## Pit

PLASTIC



Steel **PowerLok**® 3-part lid (AS 3996 Class B). Slip Resistance Rating R10 AS/NZS 4586. IP2XD (AS 60529) protection against ingress of foreign objects when hatch is closed.

Steel 3-part lid (AS 3996 Class B). Slip Resistance Rating R10 AS/NZS 4586. IP4X (AS 60529) protection against ingress of foreign objects if fitted with universal plug.

Cement concrete 3-part lid (AS 3996 Class A). Slip Resistance Rating R9 AS/NZS 4586. IP4X (AS 60529) protection against ingress of foreign objects if fitted with universal plug.

Note: Access covers fit above pit/riser, refer to pg 80 for installation guidelines.

Optional riser to increase pit depth, riser rebate is identical to pit rebate and with lid, offers the same IP protection. To produce riser, cut base off another pit to appropriate length. ACO recommends no more than 1 riser. Riser adds 400mm depth.

Lids fit into rebate at top of pit, whilst access covers must be installed in a cast in situ concrete collar.

Pit can be cut at specific points to create a shallower pit.

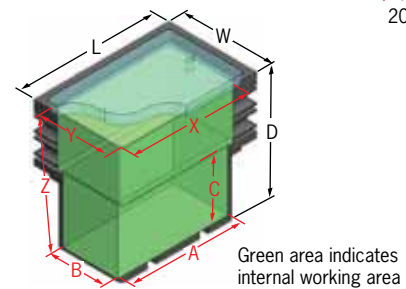
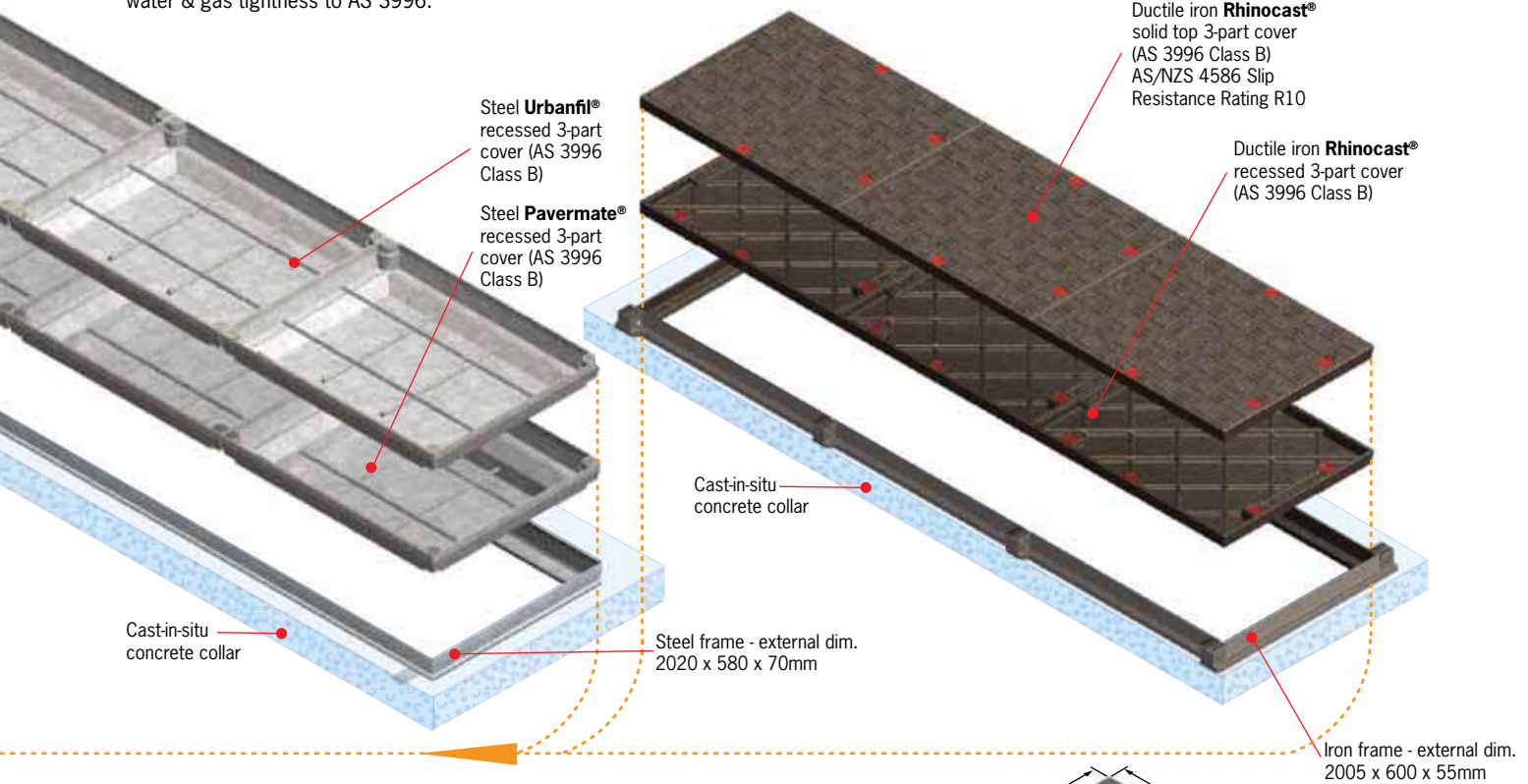
Plastic pit construction offers an economic pit solution for light duty applications. Plastic also offers excellent electrical resistivity.

Continuous ribbed wall design for maximum wall strength. All plastic pits have undergone FEA analysis to ensure optimum pit performance.

Use holesaw to cut conduit hole anywhere on side wall. The maximum number of holes recommended per pit is limited by conduit quantity and size. Contact ACO for guidance.

### Weather Resistant Access Covers

All access covers have IP4X (AS 60529) protection against ingress of foreign objects. **Rhinocast®** access covers offer water & gas tightness to AS 3996.



### Type 9 Pit Parts List<sup>6</sup>

Description	Part No.	Weight (kg)	
Type 9 plastic pit	75099	60	
Lids & Covers		Cover <sup>1</sup>	Total
Cement concrete 3-part lid (AS 3996 Class A) - Blank <sup>2</sup>	75235	38	118
Cement concrete 3-part lid (AS 3996 Class A) - Communications <sup>2</sup>	75236	38	118
Cement concrete 3-part lid (AS 3996 Class A) - Electricity <sup>2</sup>	75237	38	118
Steel 3-part lid (AS 3996 Class B)	71920	15	45
Steel <b>PowerLok®</b> 3-part lid (AS 3996 Class B) <sup>2,3</sup>	71930	20	58
Steel <b>Urbanfil®</b> recessed 3-part cover (AS 3996 Class B) <sup>4</sup>	75109	13	56
Steel <b>Pavermate®</b> recessed 3-part cover (AS 3996 Class B) <sup>4</sup>	80951	15	58
Ductile iron <b>Rhinocast®</b> recessed 3-part cover (AS 3996 Class B) <sup>5</sup>	80952	30	132
Ductile iron <b>Rhinocast®</b> solid top 3-part cover (AS 3996 Class B) <sup>5</sup>	80953	28	129

**Notes:**

- Lid & access cover weights are provided as lifting weight (individual cover parts) and total weight. Recessed covers weight do not include pavement infill; for approx. lifting weight - **Urbanfil®**/**Pavermate®** covers - multiply weight by '7'; **Rhinocast®** covers multiply weight by '1.5'.
- All lids are supplied with brackets and support bars where applicable.
- PowerLok®** lids supplied with locking bolt (padlock not supplied).
- Optional brass edging (Specify 'BE' after part number).
- Optional locking, brass or stainless steel edging in 12mm or 40mm heights (Specify 'BE' or 'SS' and height after part number).
- For Accessories (e.g. identification plates, divider brackets, cable hanger brackets see pg 43).

### Pit Dimensions

Internal working area	(mm)
A	1900
B	430
C	440
X	1925
Y	455
Z	835
Overall dimensions	(mm)
L	2035
W	565
D	890

**Notes:**

- Using risers will increase pit depth (Z & D) by depth of riser.
- Access covers will increase depth of pit by height of concrete collar - allowance should be made for concrete collar during pit installation. See pg 82 for excavation details.



# Type 43 Pit

Diameter 430mm  
Depth 610mm



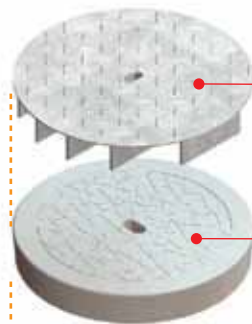
**Product Selection Steps**

Once pit type is determined:

1. Select lid or access cover (adds additional depth) to suit project application.

# PLASTIC

## Lids



Steel lid (AS 3996 Class B).  
Slip Resistance Rating R10 AS/NZS 4586.  
IP4X (AS 60529) protection against ingress of foreign objects if fitted with universal plug.

Cement concrete lid (AS 3996 Class A).  
Slip Resistance Rating R9 AS/NZS 4586.  
IP4X (AS 60529) protection against ingress of foreign objects if fitted with universal plug.

Lids fit into rebate at top of pit, whilst access covers must be installed in a cast in situ concrete collar.

## Pit



Pit has 3 x 100mm dia holes spaced equidistant near the base. Use holesaw to cut conduit hole anywhere else on side wall. The maximum number of holes recommended per pit is limited by conduit quantity and size. Contact ACO for guidance.

Plastic pit construction offers an economic pit solution for light duty applications. Plastic also offers excellent electrical resistivity.

**Weather Resistant  
Access Covers**

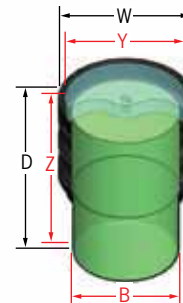
If access cover required contact ACO.

**Type 43 Pit Parts List<sup>2</sup>**

Description	Part No.	Weight (kg)	
Type 43 plastic pit	74308	5	
Lids & Covers		Cover <sup>1</sup>	Total
Cement concrete lid (AS 3996 Class A) - Blank	76221	18	18
Cement concrete lid (AS 3996 Class A) - Communications	74592	18	18
Cement concrete lid (AS 3996 Class A) - Electricity	74312	18	18
Steel lid (AS 3996 Class B)	74320	6	6

**Notes:**

- Lid weights are provided as lifting weight (individual cover parts) and total weight.
- For Accessories (e.g. identification plates, divider brackets, cable hanger brackets see pg 43).



Green area indicates internal working area

**Pit Dimensions**

Internal working area (mm)	
<b>B</b>	280
<b>Y</b>	340
<b>Z</b>	545
Overall dimensions (mm)	
<b>W</b>	430
<b>D</b>	610

**Notes:**

See pg 82 for excavation details.



# Type 53 Pit

Length 540mm  
 Width 295mm  
 Depth 455mm



**Product Selection Steps**

Once pit type is determined:

1. Select lid or access cover (adds additional depth) to suit project application.

# PLASTIC

## Lids



Steel lid (AS 3996 Class B).  
 Slip Resistance Rating R10 AS/NZS 4586.  
 IP4X (AS 60529) protection against ingress of foreign objects if fitted with universal plug.  
 If a locking lid is required, please contact ACO.

Polymer concrete lid (AS 3996 Class A).  
 Slip Resistance Rating R10 AS/NZS 4586.  
 IP4X (AS 60529) protection against ingress of foreign objects if fitted with universal plug.

Lids fit into rebate at top of pit, whilst access covers must be installed in a cast in situ concrete collar.

## Pit



Use holesaw to cut conduit hole anywhere on side wall. The maximum number of holes recommended per pit is limited by conduit quantity and size. Contact ACO for guidance.

Plastic pit construction offers an economic pit solution for light duty applications. Plastic also offers excellent electrical resistivity.

**Weather Resistant  
Access Covers**

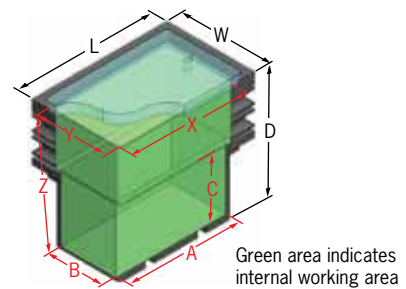
If access cover required contact ACO.

**Type 53 Pit Parts List<sup>2</sup>**

Description	Part No.	Weight (kg)	
Type 53 plastic pit	75785	3	
Lids & Covers		Cover <sup>1</sup>	Total
Polymer concrete lid (AS 3996 Class A) - Blank	75806	6	6
Polymer concrete lid (AS 3996 Class A) - Communications	75813	6	6
Polymer concrete lid (AS 3996 Class A) - Electricity	75829	6	6
Steel lid (AS 3996 Class B)	75320	4	4

**Notes:**

- Lid weights are provided as lifting weight (individual cover parts) and total weight.
- For Accessories (e.g. identification plates, divider brackets, cable hanger brackets see pg 43).



**Pit Dimensions**

Internal working area (mm)	
A	330
B	155
C	155
X	460
Y	215
Z	430
Overall dimensions (mm)	
L	540
W	295
D	455

**Notes:**

See pg 82 for excavation details.





# Type 55 Pit

Length	560mm		
Width	560mm		
Depth	505mm		

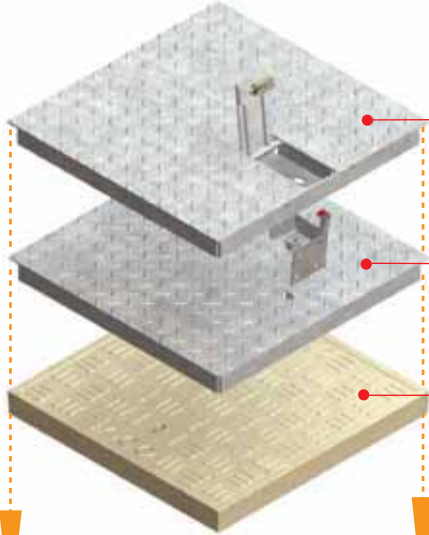
### Product Selection Steps

Once pit type is determined:

1. Determine if riser is required.
2. Select lid or access cover (adds additional depth) to suit project application.

PLASTIC

## Lids



Steel **PowerLok**® lid (AS 3996 Class B). Slip Resistance Rating R10 AS/NZS 4586. IP2XD (AS 60529) protection against ingress of foreign objects when hatch is closed. (Fitting instructions are supplied with lid.)

Steel lid (AS 3996 Class B). Slip Resistance Rating R10 AS/NZS 4586. IP4X (AS 60529) protection against ingress of foreign objects if fitted with universal plug.

Polymer concrete lid (AS 3996 Class A). Slip Resistance Rating R10 AS/NZS 4586. IP4X (AS 60529) protection against ingress of foreign objects if fitted with universal plug.

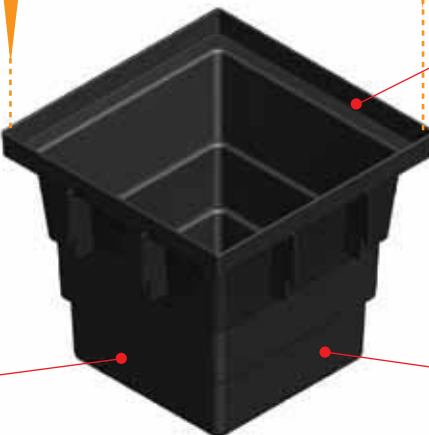
## Riser



Optional riser to increase pit depth, riser rebate is identical to pit rebate and with lid, offers the same IP protection. To produce riser, cut base off another pit to appropriate length. ACO recommends no more than 1 riser. Riser adds 150mm depth.

Note: Access covers fit above pit/riser, refer to pg 80 for installation guidelines.

## Pit



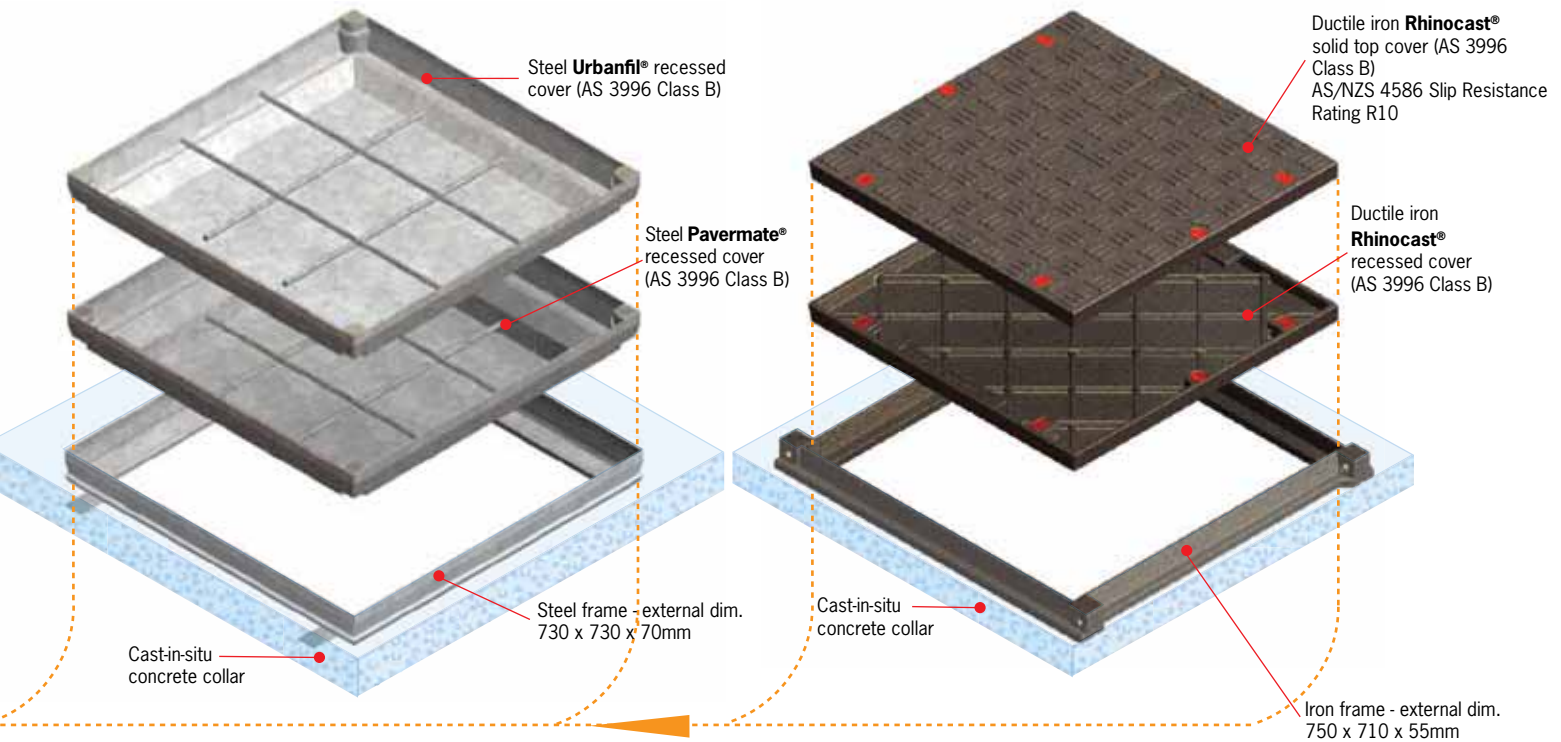
Lids fit into rebate at top of pit, whilst access covers must be installed in a cast in situ concrete collar.

Use holesaw to cut conduit hole anywhere on side wall. The maximum number of holes recommended per pit is limited by conduit quantity and size. Contact ACO for guidance.

Plastic pit construction offers an economic pit solution for light duty applications. Plastic also offers excellent electrical resistivity.

### Weather Resistant Access Covers

All access covers have IP4X (AS 60529) protection against ingress of foreign objects. **Rhinocast®** access covers offer water & gas tightness to AS 3996.

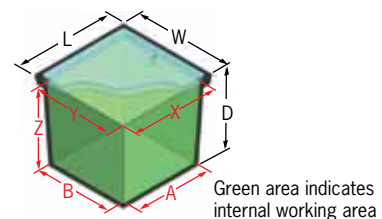


### Type 55 Pit Parts List<sup>6</sup>

Description	Part No.	Weight (kg)	
Type 55 plastic pit	76253	6	
<b>Lids &amp; Covers</b>		<b>Cover<sup>1</sup></b>	<b>Total</b>
Polymer concrete lid (AS 3996 Class A) - Blank	76279	19	19
Polymer concrete lid (AS 3996 Class A) - Communications	76285	19	19
Polymer concrete lid (AS 3996 Class A) - Electricity	76297	19	19
Steel lid (AS 3996 Class B)	75520	13	13
Steel <b>PowerLok®</b> lid (AS 3996 Class B) <sup>2, 3</sup>	75530	17	17
Steel <b>Urbanfil®</b> recessed cover (AS 3996 Class B) <sup>4</sup>	81565	15	22
Steel <b>Pavermate®</b> recessed cover (AS 3996 Class B) <sup>4</sup>	81948	18	24
Ductile iron <b>Rhinocast®</b> recessed cover (AS 3996 Class B) <sup>5</sup>	85045	36	60
Ductile iron <b>Rhinocast®</b> solid top cover (AS 3996 Class B) <sup>5</sup>	85222	35	63

**Notes:**

- Lid & access cover weights are provided as lifting weight (individual cover parts) and total weight. Recessed covers weight do not include pavement infill; for approx. lifting weight - **Urbanfil®**/**Pavermate®** covers - multiply weight by '7'; **Rhinocast®** covers multiply weight by '1.5'.
- All lids are supplied with brackets and support bars where applicable.
- PowerLok®** lids supplied with additional fitting instructions and locking bolt (padlock not supplied).
- Optional brass edging (Specify 'BE' after part number).
- Optional locking, brass or stainless steel edging in 12mm or 40mm heights (Specify 'BE' or 'SS' and height after part number).
- For Accessories (e.g. identification plates, divider brackets, cable hanger brackets see pg 43).



### Pit Dimensions

Internal working area (mm)	
A	365
B	365
X	450
Y	450
Z	450
Overall dimensions (mm)	
L	560
W	560
D	505

**Notes:**

- Using risers will increase pit depth (Z & D) by depth of riser.
- Access covers will increase depth of pit by height of concrete collar - allowance should be made for concrete collar during pit installation. See pg 82 for excavation details.



# Type 77 Pit

Length 710mm  
Width 710mm  
Depth 660mm



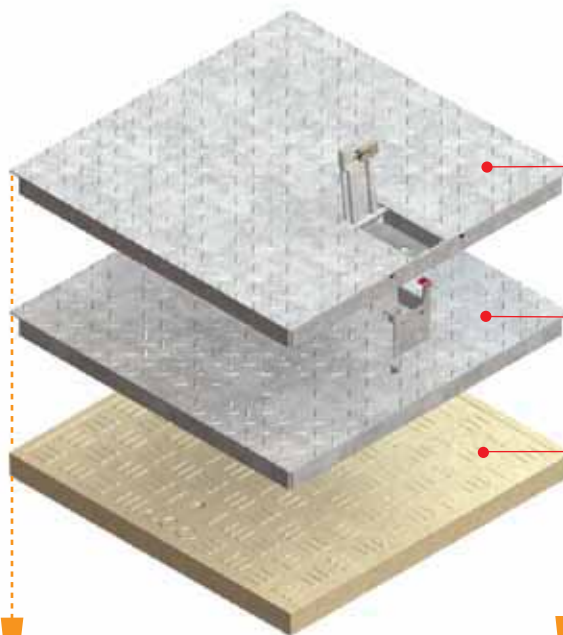
Up to 960mm (1 riser)

### Product Selection Steps

Once pit type is determined:

1. Determine if riser is required.
2. Select lid or access cover (adds additional depth) to suit project application.

## Lids



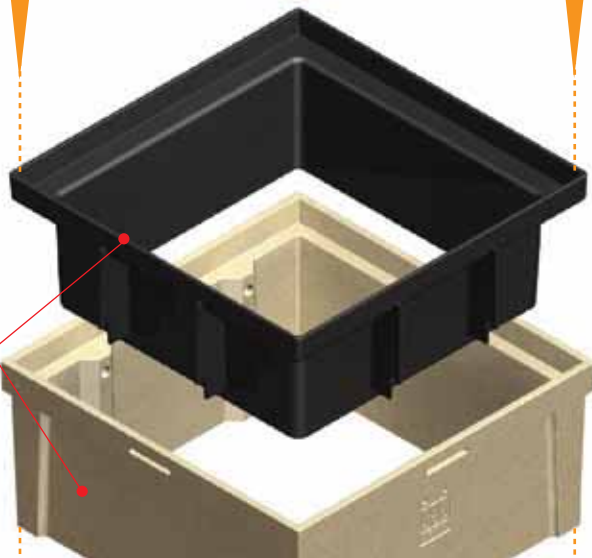
Steel **PowerLok**® lid (AS 3996 Class B). Slip Resistance Rating R10 AS/NZS 4586. IP2XD (AS 60529) protection against ingress of foreign objects when hatch is closed. (Fitting instructions are supplied with lid.)

Steel lid (AS 3996 Class B). Slip Resistance Rating R10 AS/NZS 4586. IP4X (AS 60529) protection against ingress of foreign objects if fitted with universal plug.

Polymer concrete lid (AS 3996 Class A). Slip Resistance Rating R10 AS/NZS 4586. IP4X (AS 60529) protection against ingress of foreign objects if fitted with universal plug.

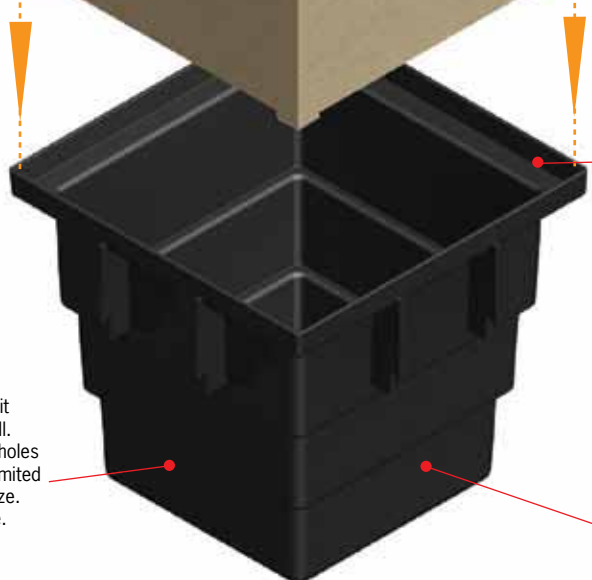
## Risers

Optional risers to increase pit depth, riser rebate is identical to pit rebate and with lid, offers the same IP protection. To produce plastic riser, cut base off another pit to appropriate length. ACO recommends no more than 1 riser. Plastic riser adds 200mm depth. Polymer concrete riser adds 300mm depth.



Note: Access covers fit above pit/riser, refer to pg 80 for installation guidelines.

## Pit



Use holesaw to cut conduit hole anywhere on side wall. The maximum number of holes recommended per pit is limited by conduit quantity and size. Contact ACO for guidance.

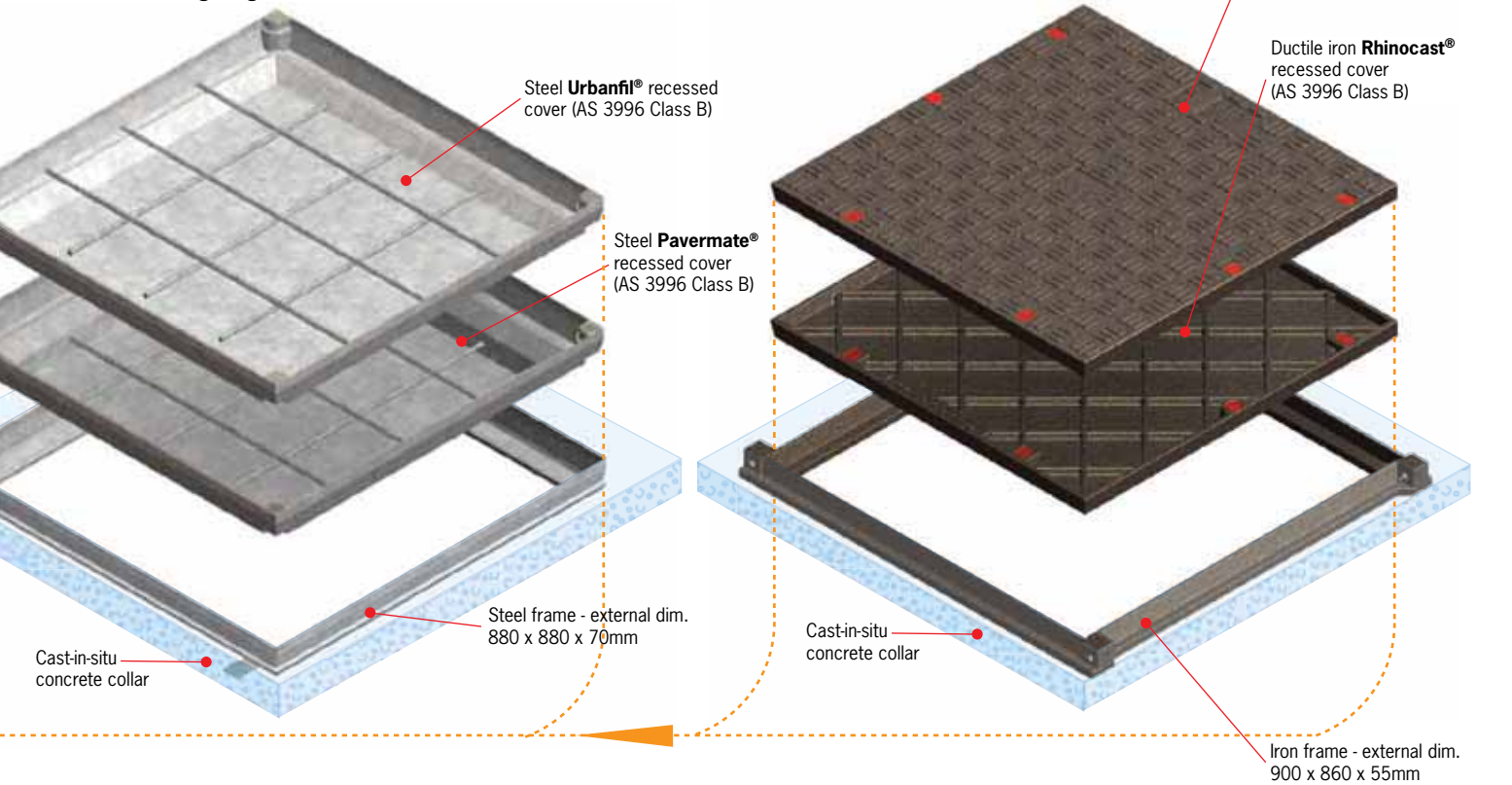
Lids fit into rebate at top of pit, whilst access covers must be installed in a cast in situ concrete collar.

Plastic pit construction offers an economic pit solution for light duty applications. Plastic also offers excellent electrical resistivity.

PLASTIC

### Weather Resistant Access Covers

All access covers have IP4X (AS 60529) protection against ingress of foreign objects. **Rhinocast®** access covers offer water & gas tightness to AS 3996.

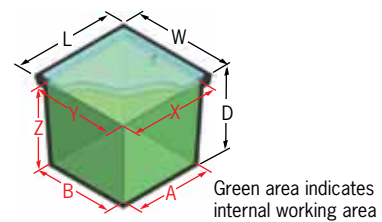


### Type 77 Pit Parts List<sup>6</sup>

Description	Part No.	Weight (kg)	
Type 77 plastic pit	<b>76344</b>	13	
Type 77 polymer concrete riser (adds 300mm to pit depth)	<b>76368</b>	47	
<b>Lids &amp; Covers</b>			
Polymer concrete lid (AS 3996 Class A) - Blank	<b>76382</b>	31	31
Polymer concrete lid (AS 3996 Class A) - Communications	<b>76396</b>	31	31
Polymer concrete lid (AS 3996 Class A) - Electricity	<b>76409</b>	31	31
Steel lid (AS 3996 Class B)	<b>77720</b>	20	20
Steel <b>PowerLok®</b> lid (AS 3996 Class B) <sup>2,3</sup>	<b>77730</b>	25	25
Steel <b>Urbanfil®</b> recessed cover (AS 3996 Class B) <sup>4</sup>	<b>81601</b>	24	32
Steel <b>Pavermate®</b> recessed cover (AS 3996 Class B) <sup>4</sup>	<b>81372</b>	25	33
Ductile iron <b>Rhinocast®</b> recessed cover (AS 3996 Class B) <sup>5</sup>	<b>85061</b>	60	87
Ductile iron <b>Rhinocast®</b> solid top cover (AS 3996 Class B) <sup>5</sup>	<b>85274</b>	60	91

**Notes:**

- Lid & access cover weights are provided as lifting weight (individual cover parts) and total weight. Recessed covers weight do not include pavement infill; for approx. lifting weight - **Urbanfil®/Pavermate®** covers - multiply weight by '7'; **Rhinocast®** covers multiply weight by '1.5'.
- All lids are supplied with brackets and support bars where applicable.
- PowerLok®** lids supplied with additional fitting instructions and locking bolt (padlock not supplied).
- Optional brass edging (Specify 'BE' after part number).
- Optional locking, brass or stainless steel edging in 12mm or 40mm heights (Specify 'BE' or 'SS' and height after part number).
- For Accessories (e.g. identification plates, divider brackets, cable hanger brackets see pg 43).



### Pit Dimensions

Internal working area	(mm)
<b>A</b>	465
<b>B</b>	465
<b>X</b>	600
<b>Y</b>	600
<b>Z</b>	605
<b>Overall dimensions (mm)</b>	
<b>L</b>	710
<b>W</b>	710
<b>D</b>	660

**Notes:**

- Using risers will increase pit depth (Z & D) by depth of riser.
- Access covers will increase depth of pit by height of concrete collar - allowance should be made for concrete collar during pit installation. See pg 82 for excavation details.