

High Density Polyethylene (HDPE) Electrical Cable Jointing and Drawing Pits

These lightweight, easy to cut, resilient units are moulded from HDPE plastic and feature a ribbed construction for strength and durability.

Applications

- Landscaped areas.
- Sports fields.
- Pavements.
- Domestic environments.
- Accidental trafficable locations.
- Lighting pits.



The Type 7 pit requires two cement concrete covers which are supported in the middle of the pit by a removable cast iron bar.



Steel covers can be fitted with brass identification plates which are riveted to the cover.



Type 53 and Type 43



Type 3 and Type 5



Type 4 and Type 7



Type 55 and Type 77



Features

- Ideal for use in light duty installations.
- Lightweight and easy to handle.
- Ribbed structure to maximise strength and avoid damage.
- Economical, available with a variety of covers.
- Choice of Polymer Concrete and Cement Concrete lids marked either 'Electricity' or 'Communications', or no marking.
- Moulded from corrosion resistant high density polyethylene plastic.
- Easy to cut for conduit entry.
- Ribbing allows easy installation of cable supports.
- Range of steel covers to suit all pits.
- Range of lockable covers to suit most pits.
- Range of aesthetic, recessed steel access covers and frames to suit most pits for discreet locations.



Type 53 Plastic Pit

540mm x 290mm x 450mm depth

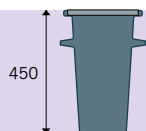
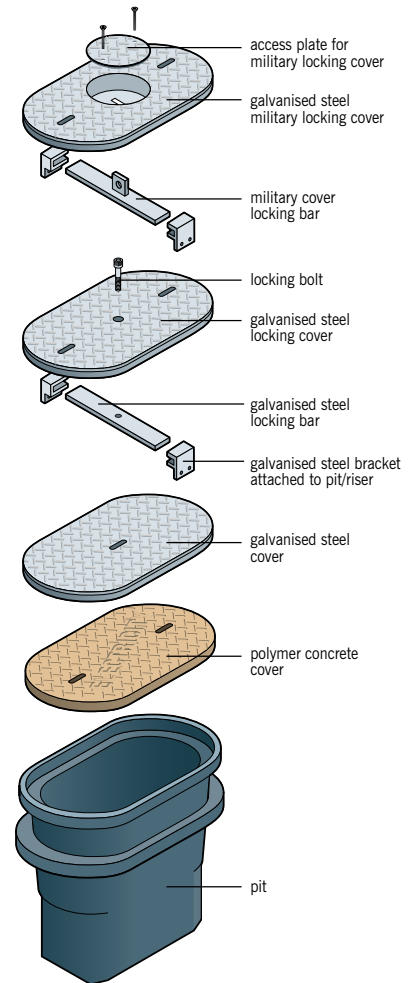


Pit Data

	Description	Part No.	Weight kg
80kN B	Type 53 HDPE Plastic Pit	75785	2.8
	Type 53 HDPE Plastic Pit for Locking Cover	75792	3.4

Cover Data

	Description	Part No.	Weight kg
10kN A	Type 53 Polymer Concrete Lid - Blank	75806	4.5
	Type 53 Polymer Concrete Lid - Communications	75813	4.5
	Type 53 Polymer Concrete Lid - Electricity	75829	4.5
150kN C	Type 53 Galvanised Steel Cover	75834	6.0
	Type 53 Locking Galvanised Steel Cover	75840	6.0
	Type 53 Military Locking Galvanised Steel Cover	75857	8.0



Type 3 Plastic Pit

575mm x 350mm x 520mm depth



Pit Data

Description	Part No.	Weight kg
Type 3 HDPE Plastic Pit	75865	3.9
Type 3 HDPE Plastic Pit for Locking Cover	75872	4.5

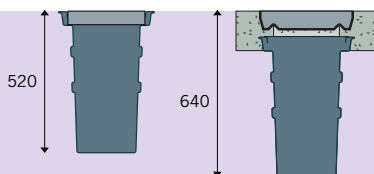
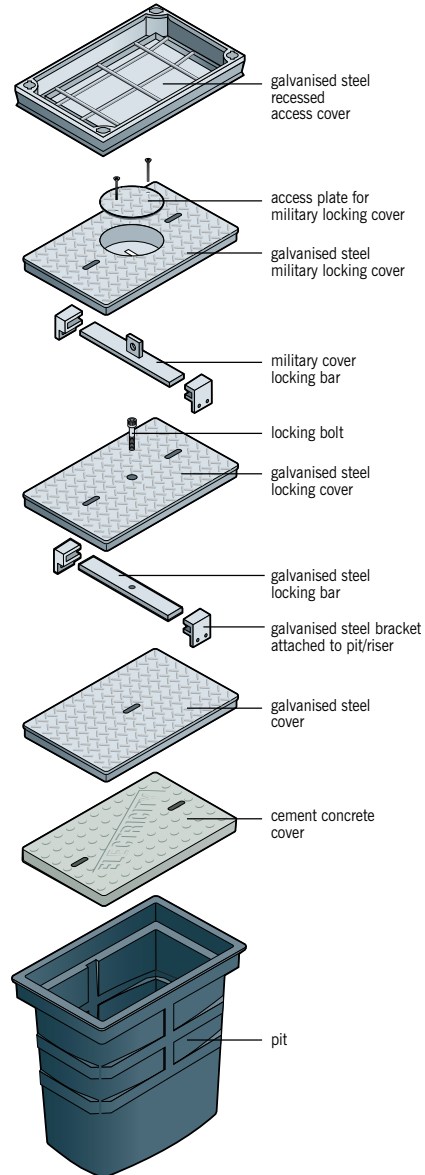
80kN
B

Cover Data

Description	Part No.	Weight kg
Type 3 Cement Concrete Lid - Blank	75881	13.8
Type 3 Cement Concrete Lid - Communications	75898	13.8
Type 3 Cement Concrete Lid - Electricity	75906	13.8
Type 3 Galvanised Steel Cover	75913	9.4
Type 3 Locking Galvanised Steel Cover	75924	9.4
Type 3 Military Locking Galvanised Steel Cover	75939	11.4
Type 3 Light Duty Recessed Access Cover - Lock & Seal	75945	17.2

10kN
A

150kN
C



Type 4 Plastic Pit

700mm x 400mm x 810mm depth

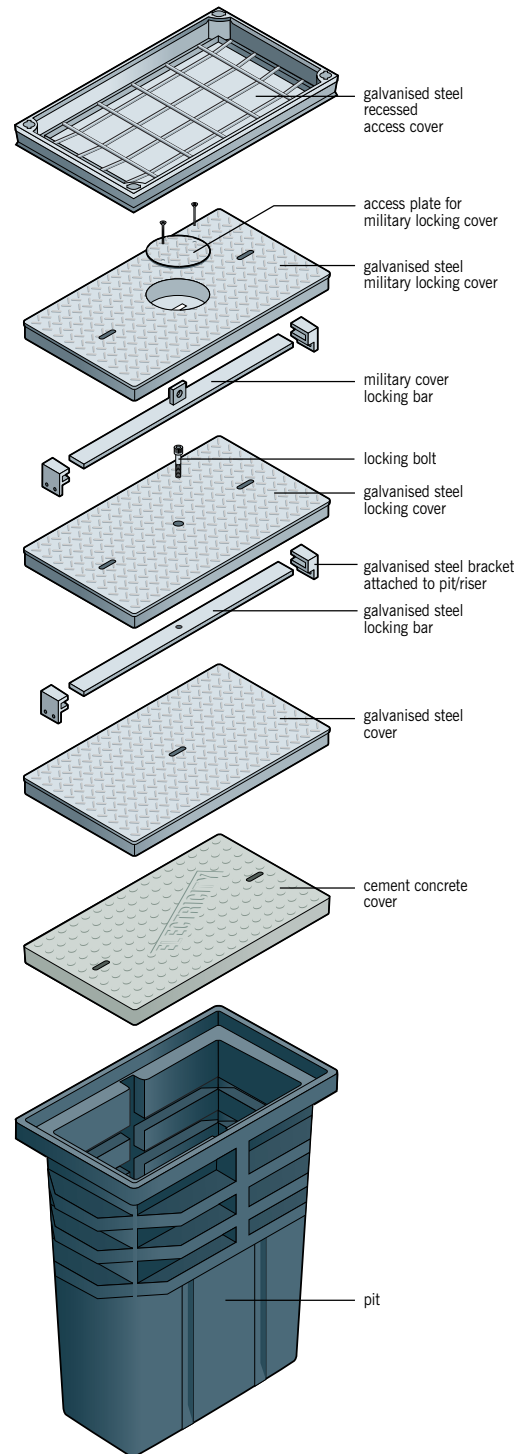


Pit Data

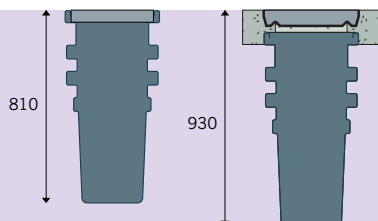
	Description	Part No.	Weight kg
80kN B	Type 4 HDPE Plastic Pit	75957	8.0
	Type 4 HDPE Plastic Pit for Locking Cover	75962	8.6

Cover Data

	Description	Part No.	Weight kg
10kN A	Type 4 Cement Concrete Lid - Blank	75979	26.7
	Type 4 Cement Concrete Lid - Communications	75983	26.7
	Type 4 Cement Concrete Lid - Electricity	75990	26.7
150kN C	Type 4 Galvanised Steel Cover	76004	14.8
	Type 4 Locking Galvanised Steel Cover	76011	14.8
	Type 4 Military Locking Galvanised Steel Cover	76028	16.8
	Type 4 Light Duty Recessed Access Cover - Lock & Seal	76035	14.9



Ground Line



Type 5 Plastic Pit

705mm x 450mm x 635mm depth



Pit Data

Description	Part No.	Weight kg
Type 5 HDPE Plastic Pit	76042	8.3
Type 5 HDPE Plastic Pit for Locking Cover	76056	8.9

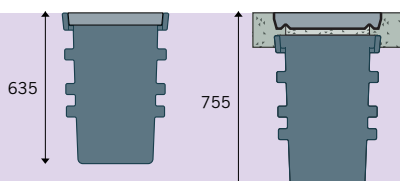
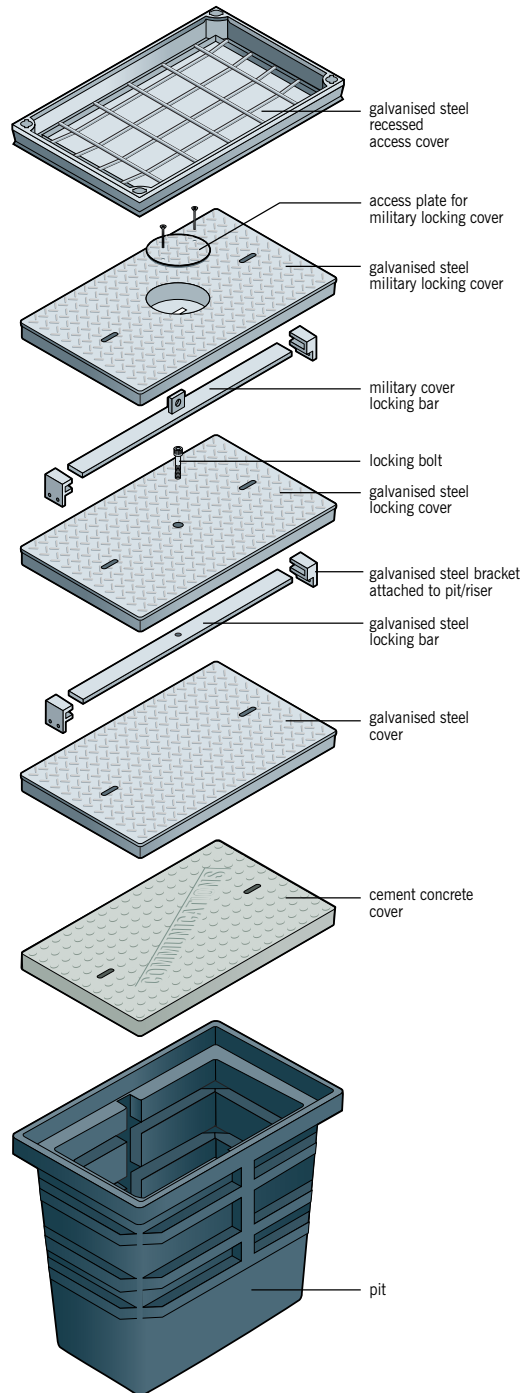
**80kN
B**

Cover Data

Description	Part No.	Weight kg
Type 5 Cement Concrete Lid - Blank	76069	29.6
Type 5 Cement Concrete Lid - Communications	76073	29.6
Type 5 Cement Concrete Lid - Electricity	76080	29.6
Type 5 Galvanised Steel Cover	76094	16.3
Type 5 Locking Galvanised Steel Cover	76107	16.3
Type 5 Military Locking Galvanised Steel Cover	76118	18.3
Type 5 Light Duty Recessed Access Cover - Lock & Seal	76125	15.9

**10kN
A**

**150kN
C**



Type 7 Plastic Pit

1030mm x 570mm x 1130mm depth



Pit Data

Description	Part No.	Weight kg
Type 7 HDPE Plastic Pit	76132	32.3
Type 7 HDPE Plastic Pit for Locking Cover	76146	32.9

80kN
B

Cover Data

Description	Part No.	Weight kg
Type 7 Cement Concrete Lid - Blank*	76153	26.4
Type 7 Cement Concrete Lid - Communications*	76169	26.4
Type 7 Cement Concrete Lid - Electricity*	76174	26.4
Type 7 Galvanised Steel Cover	76180	30.8
Type 7 Locking Galvanised Steel Cover	76197	30.8
Type 7 Military Locking Galvanised Steel Cover	76205	32.8
Type 7 Light Duty Recessed Access Cover - Lock & Seal **	76212	23.0

10kN
A

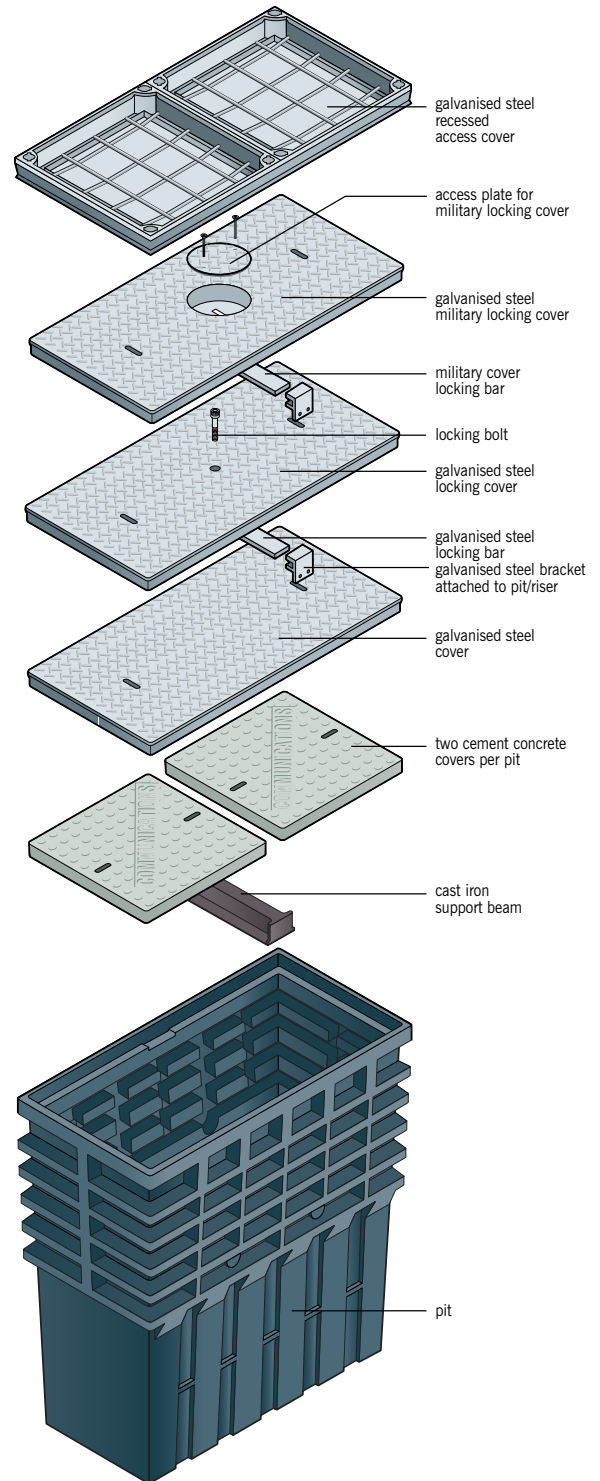
150kN
C

* Denotes two (2) covers required per pit
** Access Cover has two (2) covers

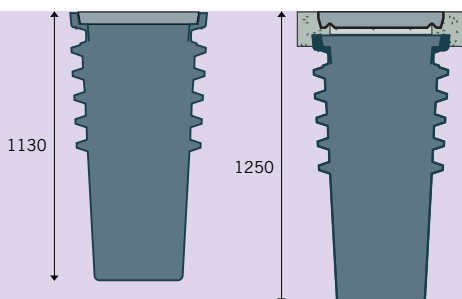
Accessories

Description	Part No.	Weight kg
Type 7 Cast Iron Support for Concrete Lids	74332	3.8
Type 7 Plastic Spreader Support Tube 40mm dia.	74481	0.2

30
III



Ground Line



Type 43 Plastic Pit

430mm diameter x 610mm depth



Pit Data

Description	Part No.	Weight kg
Type 43 HDPE Plastic Pit	74308	4.8

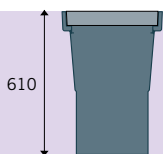
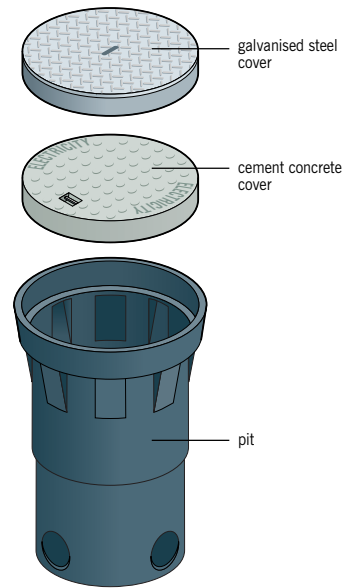
80kN
B

Cover Data

Description	Part No.	Weight kg
Type 43 Cement Concrete Lid - Blank	76221	18.0
Type 43 Cement Concrete Lid - Communications	74592	18.0
Type 43 Cement Concrete Lid - Electricity	74312	18.0
Type 43 Galvanised Steel Cover	76246	8.3

10kN
A

150kN
C



Ground Line

Type 55 Plastic Pit

560mm x 560mm x 505mm depth

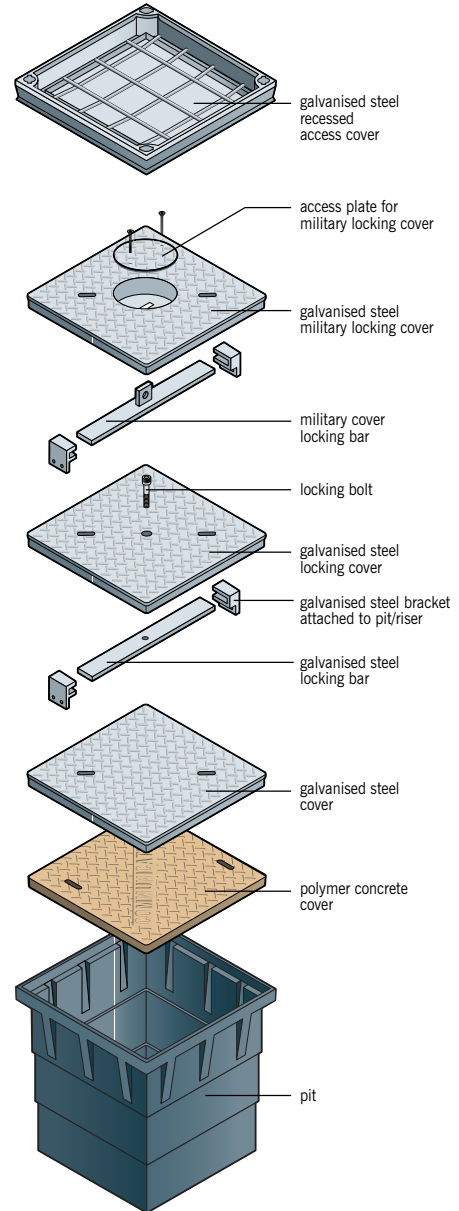


Pit Data

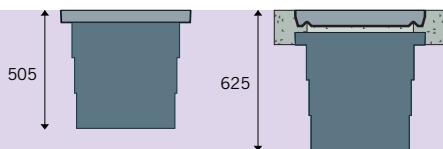
	Description	Part No.	Weight kg
80kN B	Type 55 HDPE Plastic Pit	76253	5.6
	Type 55 HDPE Plastic Pit for Locking Cover	76264	6.2

Cover Data

	Description	Part No.	Weight kg
10kN A	Type 55 Polymer Concrete Lid - Blank	76279	15.8
	Type 55 Polymer Concrete Lid - Communications	76285	15.8
	Type 55 Polymer Concrete Lid - Electricity	76297	15.8
150kN C	Type 55 Galvanised Steel Cover	76302	21.0
	Type 55 Locking Galvanised Steel Cover	76319	21.0
	Type 55 Military Locking Galvanised Steel Cover	76323	23.0
	Type 55 Light Duty Recessed Access Cover - Lock & Seal	76330	17.1



Ground Line



Type 77 Plastic Pit

700mm x 700mm x 655mm depth



Pit Data

Description	Part No.	Weight kg
Type 77 HDPE Plastic Pit	76344	8.9
Type 77 HDPE Plastic Pit for Locking Cover	76351	9.5
Type 77 Polymer Concrete Extension Riser	76368	35.3
Type 77 Polymer Concrete Extension Riser for Locking Cover	76375	35.9

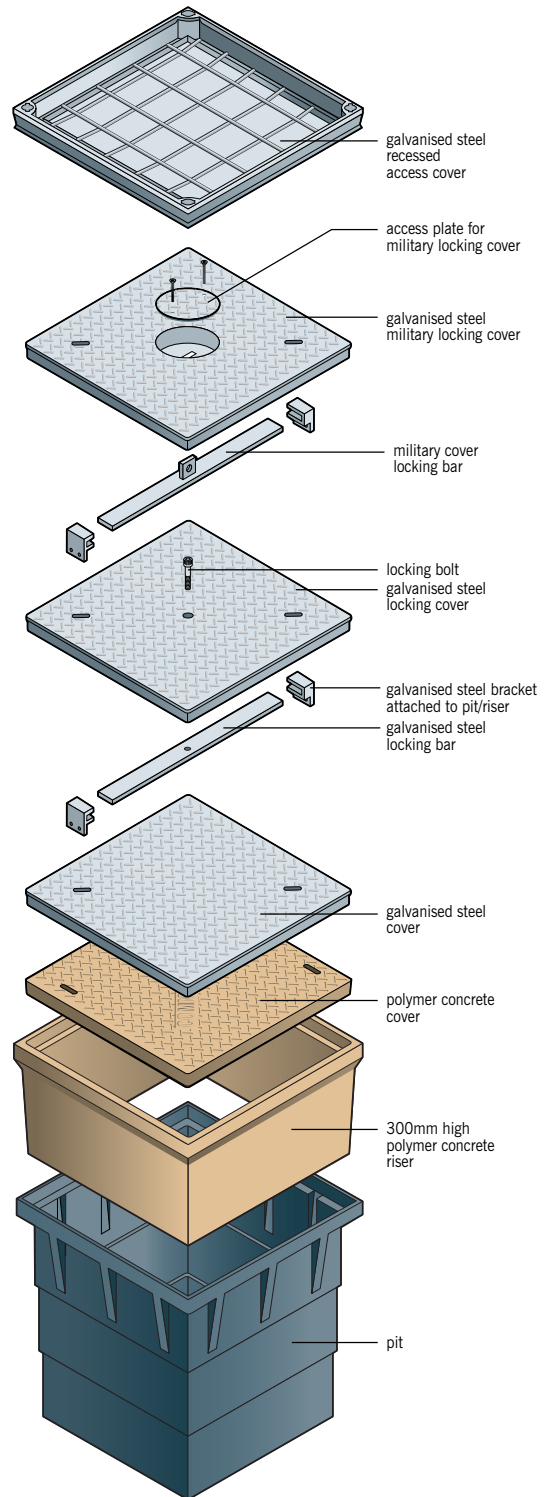
80kN
B

Cover Data

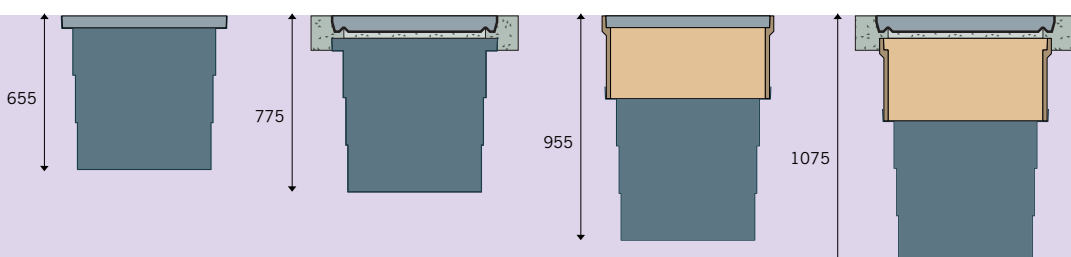
Description	Part No.	Weight kg
Type 77 Polymer Concrete Lid - Blank	76382	24.1
Type 77 Polymer Concrete Lid - Communications	76396	24.1
Type 77 Polymer Concrete Lid - Electricity	76409	24.1
Type 77 Galvanised Steel Cover	76413	32.4
Type 77 Locking Galvanised Steel Cover	76420	32.4
Type 77 Military Locking Galvanised Steel Cover	76434	34.4
Type 77 Light Duty Recessed Access Cover - Lock and Seal	76447	22.6

10kN
A

150kN
C



33



Ground Line