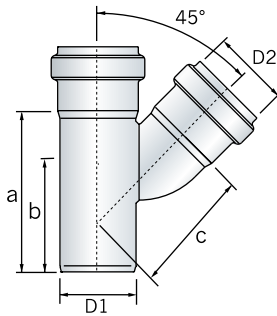
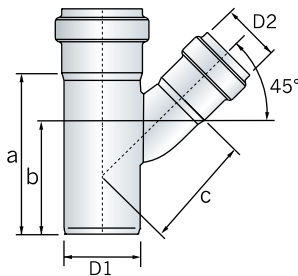


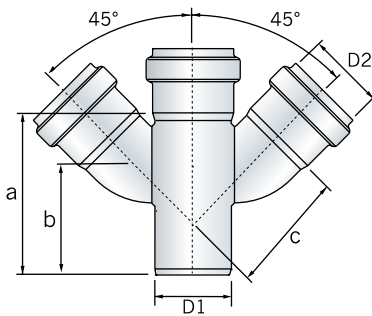
Oblique Branches



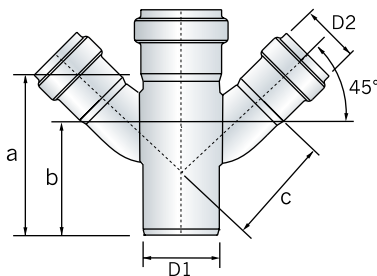
External Ø D1/D2 (mm)	Dim. a (mm)	Dim b (mm)	Dim c (mm)	Weight (kg)	Grade 304 Part No	Grade 316 Part No
45° Oblique Single Branch						
50/50	106	71	80	0.3	98748	98798
75/75	139	90	112	0.5	98800	98850
110/110	183	117	156	1.0	98802	98852
160/160	332	119	222	2.6	98804	98854



Ø D1/D2	a	b	c	Weight	304	316
45° Oblique Single Branch Reduction						
75/50	139	90	95	0.3	400661	400663
110/50	183	117	119	0.5	400665	400667
110/75	183	117	137	1.0	400669	400670
160/110	332	119	190	2.6	400699	400701



Ø D1/D2	a	b	c	Weight	304	316
45° Oblique Double Branch						
50/50	106	71	80	0.4	98806	98856
75/75	139	90	112	0.7	98808	98858
110/110	183	117	156	1.1	98810	98860
160/160	332	184	222	3.5	98812	98862



Ø D1/D2	a	b	c	Weight	304	316
45° Oblique Double Branch Reduction						
75/50	139	90	95	0.4	400673	400675
110/50	183	117	119	0.7	400677	400679
110/75	183	117	137	1.2	400681	400683
160/110	332	119	190	3.5	400703	400705

Notes:

EPDM seals supplied as standard - Viton seal available to order - contact ACO for details.