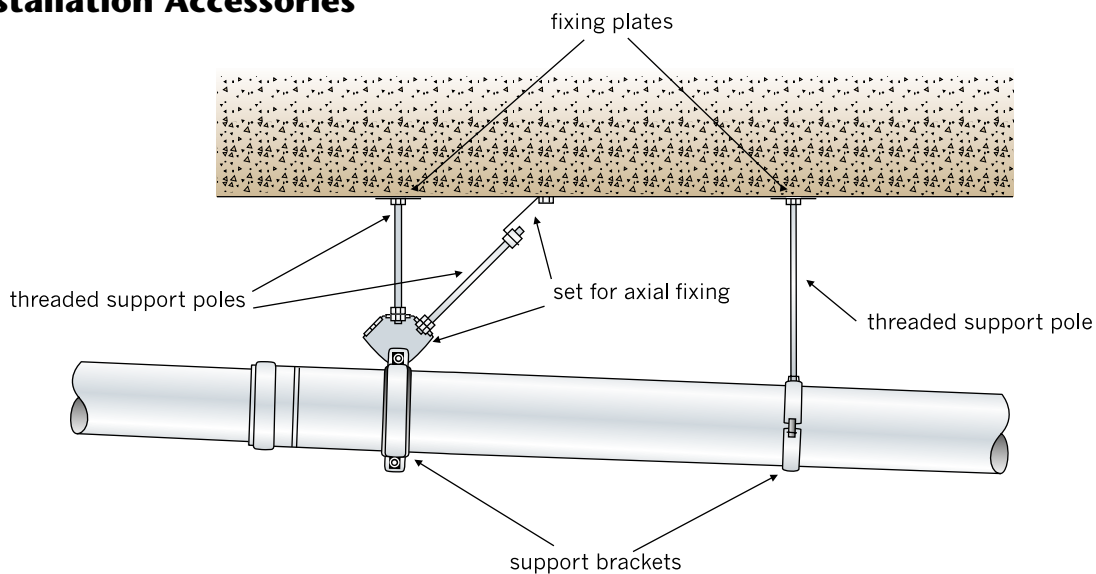
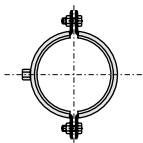


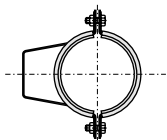
## Installation Accessories



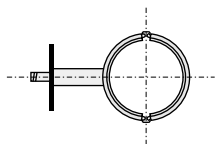
External Ø (mm)	Galv Steel Part No	Stainless Grade 316 Part No
<b>Support Bracket with Rubber In-fill</b>		
50	400533	400529
75	400534	400530
110	400535	400531
160	400536	400532



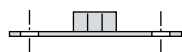
<b>Support Bracket with Rubber In-fill and Stirrup</b>		
50	400541	400537
75	400542	400538
110	400543	400539
160	400544	400540



<b>Support Bracket with Rubber In-fill and Key</b>		
50	400549	400545
75	400550	400546
110	400551	400547
160	400552	400548



<b>Fixing Plate</b>		
Universal	400525	400521



<b>Threaded Support Pole - M8</b>		
1000mm long	400557	400553



<b>Set for Axial Fixing</b>		
Universal	400565	400561

