

Photocopy & fax to your nearest ACO sales office: NSW (02) 9630 2733 • VIC (03) 9795 6444 • QLD (07) 3219 6333

Project Specification Sheet

This sheet is designed to ensure all project requirements are understood. It will allow ACO to quote accurately and supply you with further technical information. Please fill in all sections. Tick more than one box in each category if applicable. If any are not applicable, please indicate with 'N/A'. If you require assistance with any of the questions we will be happy to assist you.

Contact name	<input type="text"/>	Company	<input type="text"/>
Project name	<input type="text"/>	Telephone	<input type="text"/>
Project location	<input type="text"/>	Facsimile	<input type="text"/>
Date	<input type="text"/>	Email	<input type="text"/>

1 Liquid Characteristics

Chemical resistance required: No Yes, please attach information

Temperature / Operating Conditions Ambient (room temperature) Peak Intermittent Other _____

Grade of stainless steel: 304 316 Other _____

2 Load Class / Security

Type of application: Commercial Residential Industrial
 Kitchen
 Food preparation
 Other _____

Type of project: New building Extension Refurbishment

Trough edge details: Standard Vinyl Seal™ Solid Edge™

Traffic conditions: Pedestrian Cars Other _____
 Frequent _____
 Intermittent Wheel load _____ kg
 Pneumatic tyres Solid tyres

Lockings required: None Bolt Quicklock™




3 Volume

Trough invert: Constant depth Inbuilt falls

Depth restrictions: No Yes Min. depth _____ mm
 Max. depth _____ mm

Water volumes: Wash down Continuous Measured _____ l/s Unknown

4 Aesthetics & Safety

Grating type:  Heelguard S  Perforated  Slotted Ladder Mesh

Do the gratings need to comply to AS1428.2 Design for access and mobility - Part 2? Yes No

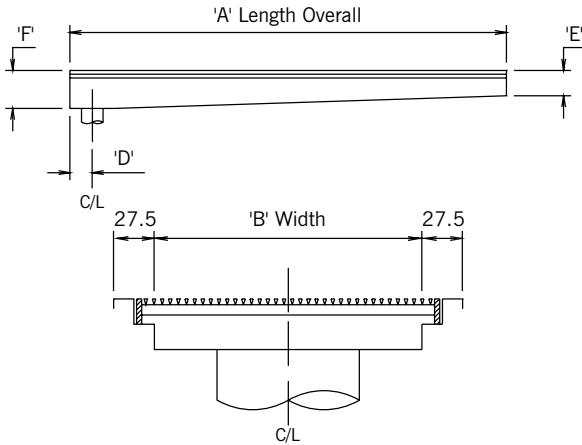
5 Outlet Type

Outlet: Horizontal Vertical Diameter (OD) _____ mm

Debris collection: Not required Sediment basket - fixed Sediment basket - removable

Please also complete p13 ►

System 100/200/300 or Custom Trough & Grating



Required information

A Overall length mm

B Width c/o 100mm (System 100) 200mm (System 200)
 300mm (System 300) Other ▶ mm

D Outlet location mm

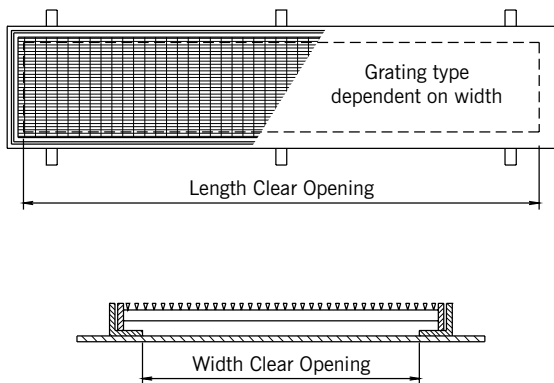
E Upstream overall depth mm

F Downstream overall depth mm

(depths vary only with pre-sloped falls)

Grate & Frame using standard or custom width gratings

Complete Part 1 or 2



1. Standard Grating

Clear opening length mm

Width c/o 100mm 200mm 300mm

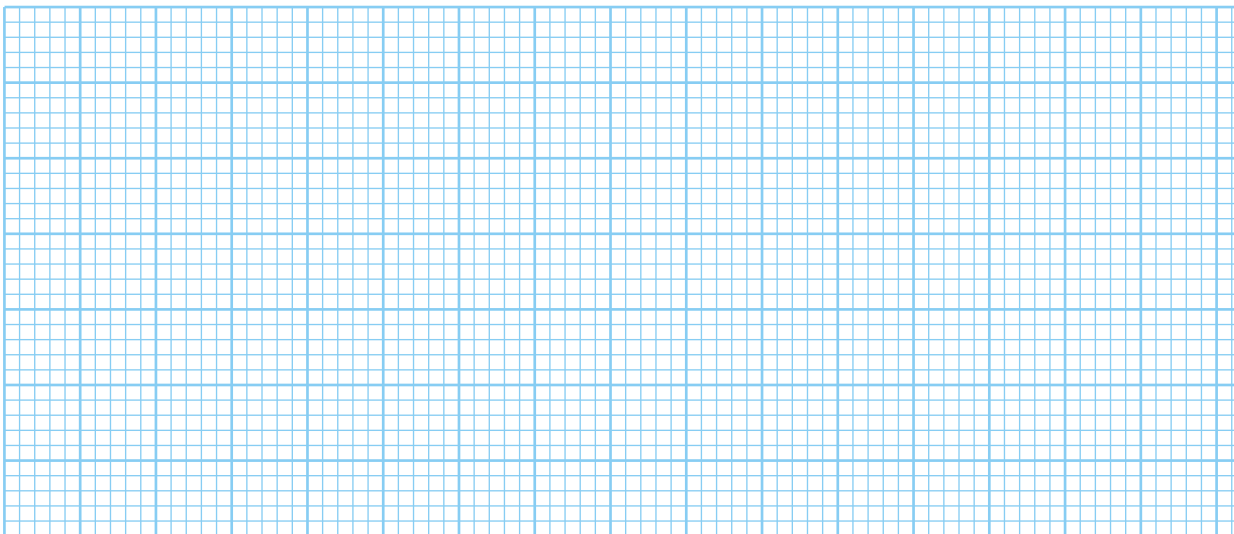
OR

2. Custom Grating

Clear opening length mm

Clear opening width mm

Other Details



Checklist

Do you require drawings Yes No If Yes, preferred format

All sections completed Drawings enclosed Chemical resistance info enclosed