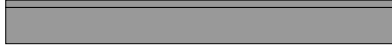


ACO stainless

System 200 & System 300

Constant depth



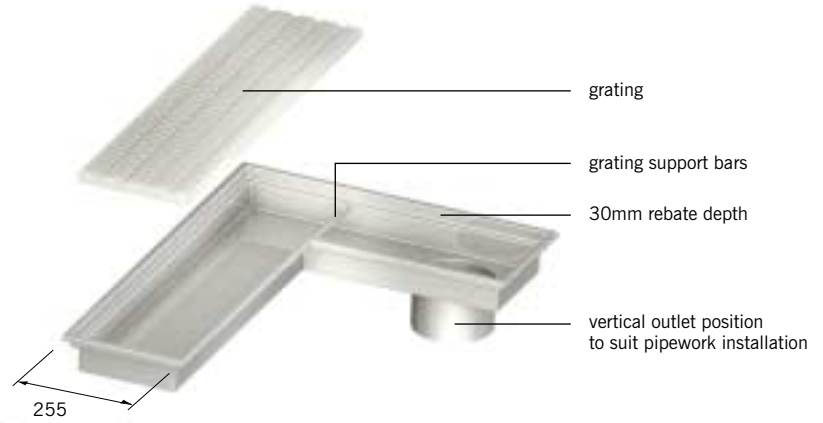
Pre-sloped depth



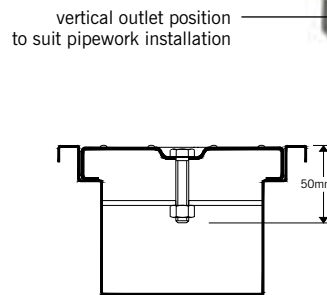
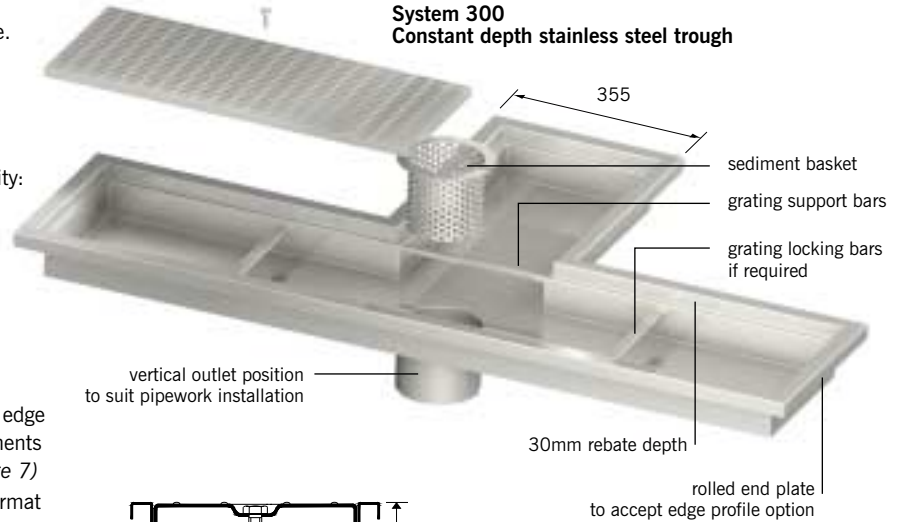
System 200 & System 300 are wide grating and trough systems designed for applications requiring the drainage of higher volumes of liquids. As with System 100, they are designed around a standard width grate.

- Standard widths to suit ACO's range of stainless steel gratings (*below*) to keep costs to a minimum, including gratings that comply with AS1428.2 (Design for access and mobility, Part 2).
- Grating bolt locking option available.
- Available in any depth to meet the hydraulic demands and installation requirements of the application.
- Corner and branch units can be manufactured to give added flexibility:
 - Intercept run-off;
 - Direct flow around corners and in specific directions;
 Ideal for kitchens and surrounding machinery.
- Available in a constant depth and pre-sloped configuration.
- Troughs are available with different edge details to suit varying load requirements and surrounding floor finishes. (*Page 7*)
- Long runs available in a modular format for ease of transport and installation.
- Vertical outlet sized to customer requirements.
- Sediment baskets for vertical outlets.
- Contact ACO for gully options.

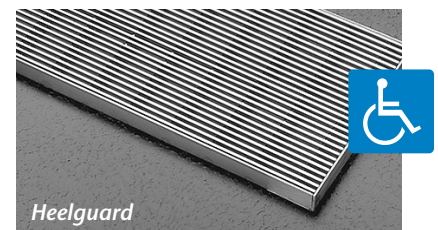
System 200 Constant depth stainless steel trough



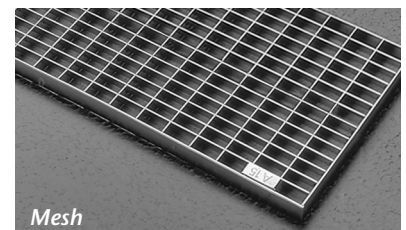
System 300 Constant depth stainless steel trough



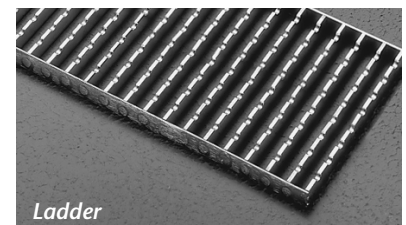
Bolt Locking



Heelguard



Mesh



Ladder

Gratings for System 200 & 300

Heelguard 'S' *Designed to minimise the trapping of narrow heeled shoes.*

Description	Part No.	Length mm	Intake Area mm ²	Slot Dims mm	Locking Bolt Part No.*
Heelguard 'S' (Sys200) - 1m	71985	1000	145,000	5 x 1000	74371
Heelguard 'S' (Sys300) - 1m	72026	1000	145,000	5 x 1000	74371
Heelguard 'S' (Sys200) - 0.5m	2373	500	35,000	5 x 500	74371
Heelguard 'S' (Sys300) - 0.5m	2473	500	35,000	5 x 500	74371
Heelguard 'S' (Sys200) - 1m	2363	1000	70,000	5 x 1000	74371
Heelguard 'S' (Sys300) - 1m	2453	1000	70,000	5 x 1000	74371
Heelguard 'S' (Sys200) - 0.5m	2375	500	35,000	5 x 500	74371
Heelguard 'S' (Sys300) - 0.5m	2475	500	35,000	5 x 500	74371

10kN
A

150kN
C

Mesh *High intake for corrosion, chemical resistance areas and hygiene applications.*

Description	Part No.	Length mm	Intake Area mm ²	Slot Dims mm	Locking Bolt Part No.*
Mesh (Sys200) - 0.5m	2372	500	93,500	15 x 30	74371
Mesh (Sys300) - 0.5m	2472	500	140,250	15 x 30	74371

150kN
C

Ladder *Heavy duty dual purpose grating – slip resistant one side, plain on the other.*

Description	Part No.	Length mm	Intake Area mm ²	Slot Dims mm	Locking Bolt Part No.*
Ladder (Sys200) - 0.5m	2374	500	89,600	20 x 112	2750
Ladder (Sys300) - 0.5m	2474	500	134,400	20 x 112	2750

210kN
D

* Troughs fitted with threaded locking bar