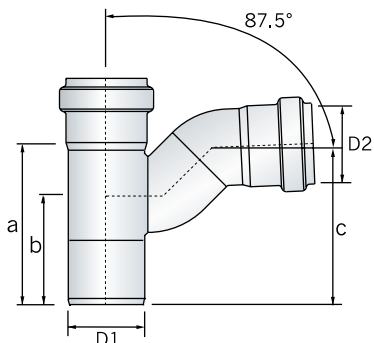
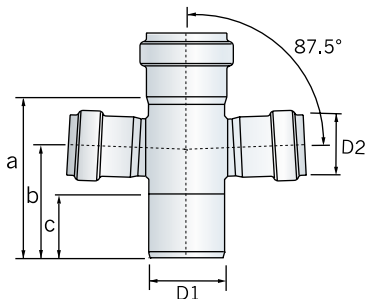
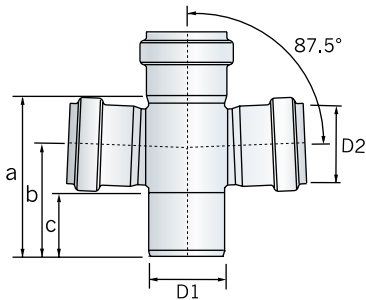
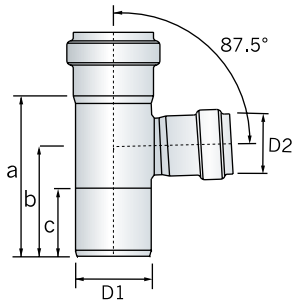
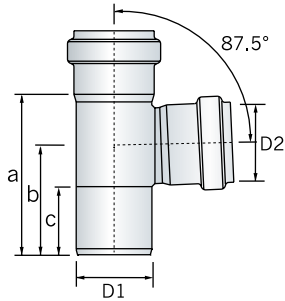


## Branches



External Ø D1/D2 (mm)	Dim. a (mm)	Dim b (mm)	Dim c (mm)	Weight (kg)	Grade 304	Grade 316
					Part No	Part No
<b>87.5° Single Branch</b>						
50/50	106	74	45	0.3	98732	98782
75/75	139	90	52	0.5	98734	98784
110/110	183	117	60	0.8	98736	98786
160/160	288	184	81	2.3	98738	98988

Ø D1/D2	a	b	c	Weight	304	316
					Part No	Part No
<b>87.5° Single Branch Reduction</b>						
75/50	139	90	45	0.3	98928	98930
110/50	183	117	60	0.5	98932	98934
110/75	183	117	60	0.8	98936	98938
160/110	288	184	81	2.3	400691	400693

Ø D1/D2	a	b	c	Weight	304	316
					Part No	Part No
<b>87.5° Double Branch</b>						
50/50	106	71	45	0.3	98740	98790
75/75	139	90	52	0.6	98742	98792
110/110	183	117	60	0.9	98744	98794
160/160	288	184	81	2.7	98746	98796

Ø D1/D2	a	b	c	Weight	304	316
					Part No	Part No
<b>87.5° Double Branch Reduction</b>						
75/50	139	90	52	0.3	98940	98942
110/50	183	117	60	0.6	98944	98946
110/75	183	117	60	0.9	98900	98902
160/110	288	184	81	2.7	400695	400697

Ø D1/D2	a	b	c	Weight	304	316
					Part No	Part No
<b>87.5° Swept Single Branch</b>						
50/50	106	71	105	0.3	98814	98864
75/75	139	90	129	0.6	98816	98866
110/110	183	117	169	1.1	98818	98868
160/160	332	184	302	2.8	98820	98870

**Notes:**

EPDM seals supplied as standard - Viton seal available to order - contact ACO for details.